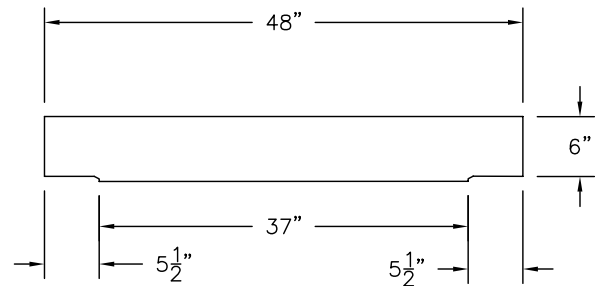
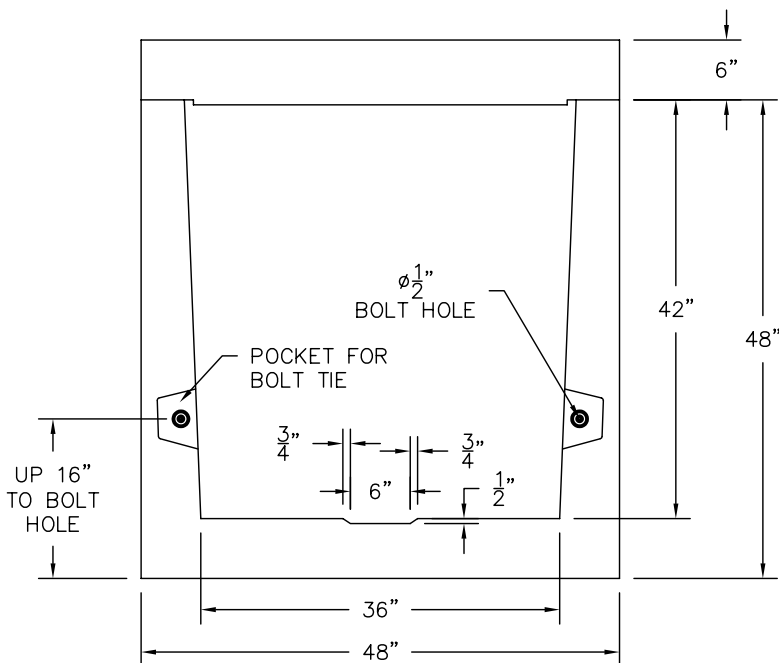


OPTIONAL WELD PLATE

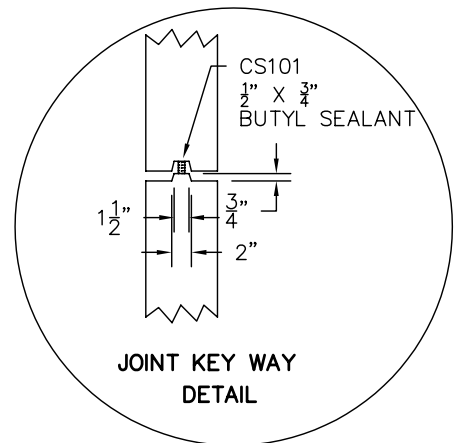
SIDE VIEW



COVER DETAIL



END VIEW



36" X 42" UTILITY TRENCH

36" X 42" UTILITY TRENCH

WIESER CONCRETE

SCALE: NTS

DRAWN BY: SWT

DATE: 1/01/01

FILE:

REV NO.

DATE:

0 OF 0
SHEET NO.