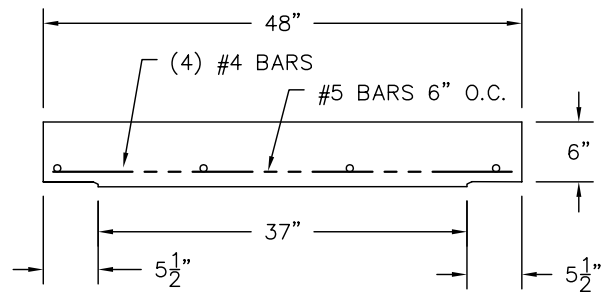
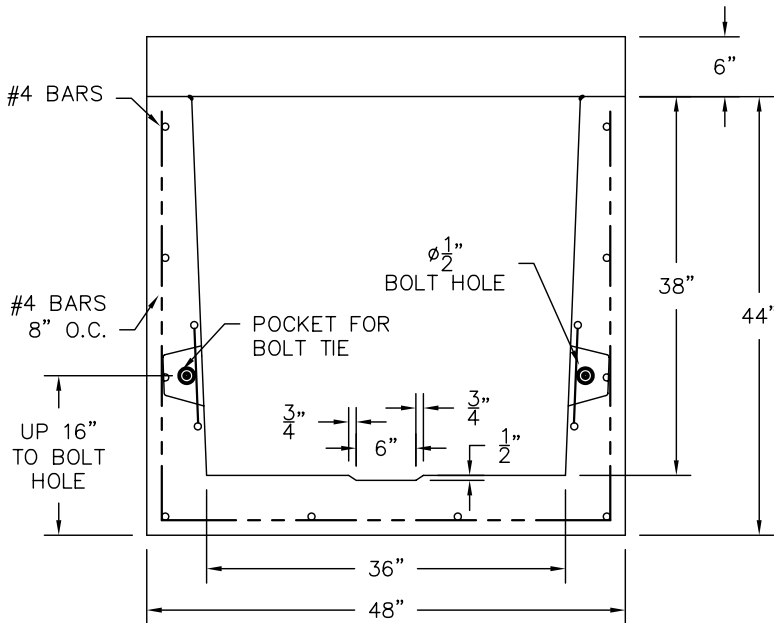


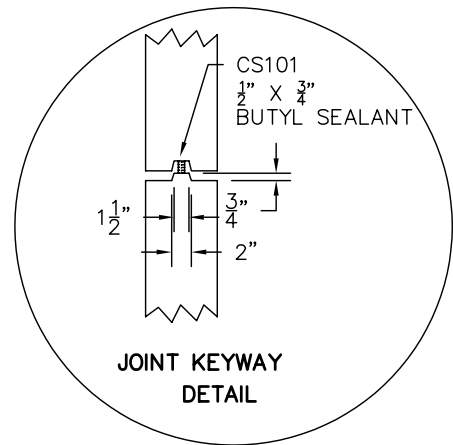
SIDE VIEW



COVER DETAIL



END VIEW



36" X 38" UTILITY TRENCH

36" X 38" UTILITY TRENCH

**WIESER CONCRETE**

W3716 US HWY10. MAIDEN ROCK, WI 54750  
800-325-8456

SCALE: NTS

DRAWN BY: SWT

DATE: 1/01/01

FILE:

REV NO.

DATE:

0 OF 0  
SHEET NO.