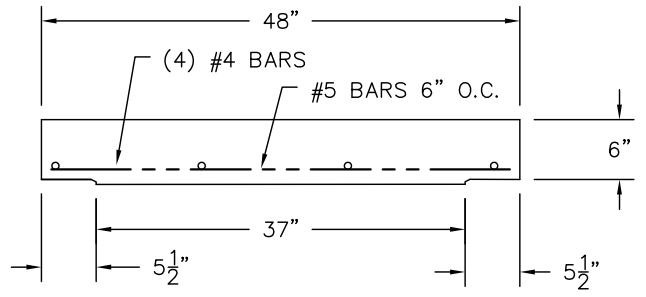
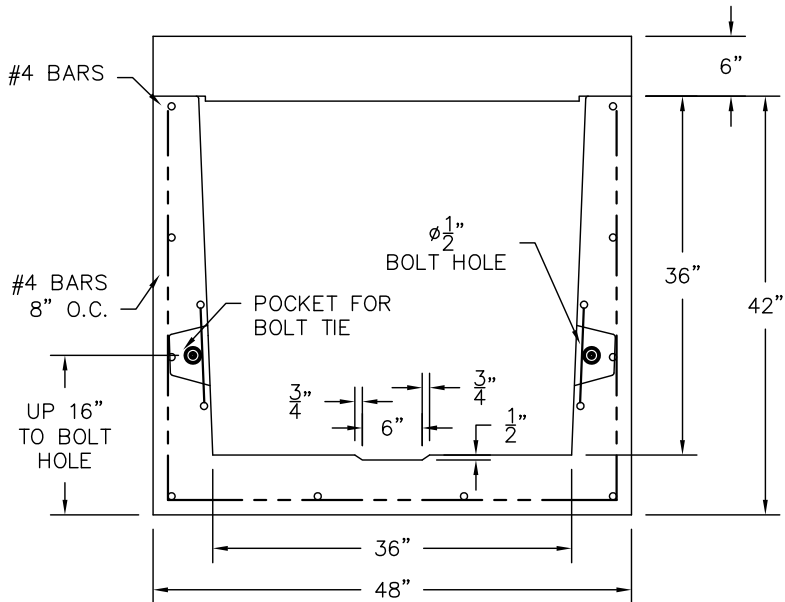


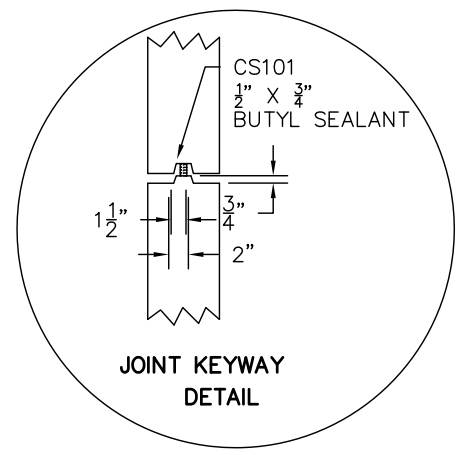
SIDE VIEW



COVER DETAIL



END VIEW



JOINT KEYWAY DETAIL

36" X 36" UTILITY TRENCH

0 OF 0 SHEET NO.

36" X 36" UTILITY TRENCH

WIESER CONCRETE
 W3716 US HWY10. MAIDEN ROCK, WI 54750
 800-325-8456

SCALE: NTS
 DRAWN BY: SWT
 DATE: 1/01/01
 FILE:

REV NO.	DATE: