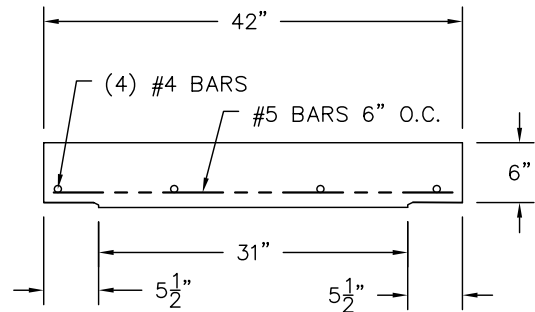
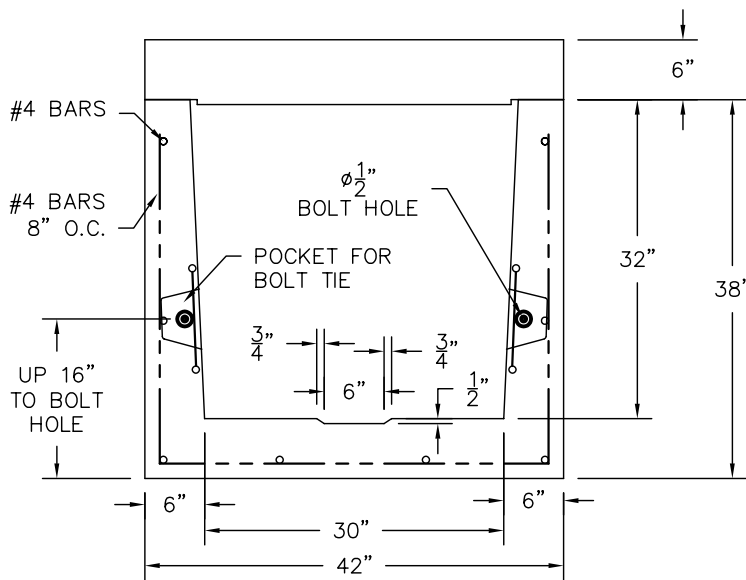


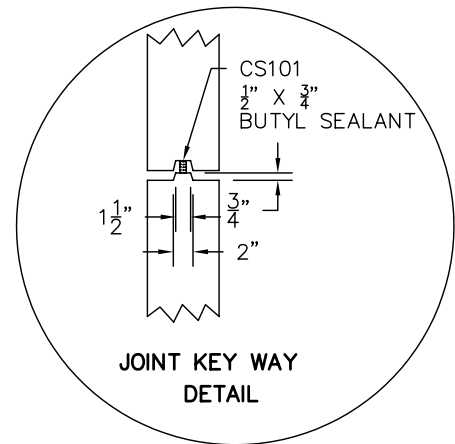
OPTIONAL WELD PLATE
SIDE VIEW



COVER DETAIL



END VIEW



JOINT KEY WAY DETAIL

30" X 32" UTILITY TRENCH

30" X 32" UTILITY TRENCH

WIESER CONCRETE

W3716 US HWY10. MAIDEN ROCK, WI 54750
800-325-8456

SCALE: NTS

DRAWN BY: SWT

DATE: 1/01/01

FILE:

REV NO.

DATE:

0 OF 0
SHEET NO.