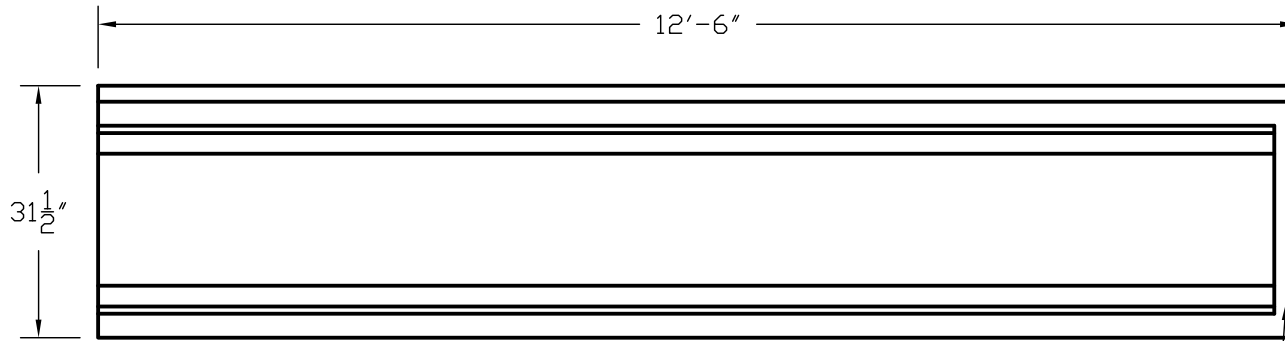
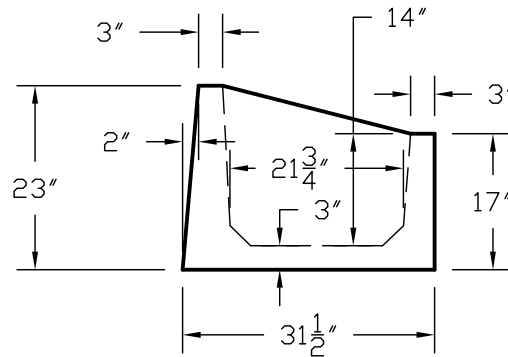


14" DEEP YARD BUNK



MONOLITHIC END



NOTE:
LEFT END & RIGHT END
AVAILABLE

DRAWN BY: SWT SCALE: 3/4" = 1'

DATE: 10/24/03 REV. DATE:

FILE: Auto Cad\feed bunk\14 inch yard bunk.dwg

WIESER CONCRETE

W3710 HWY 10 MAIDEN ROCK, WI 54750
800-325-8456

CUSTOMER NAME
CITY, STATE
COUNTY
111-111-1111

SHEET
0
0