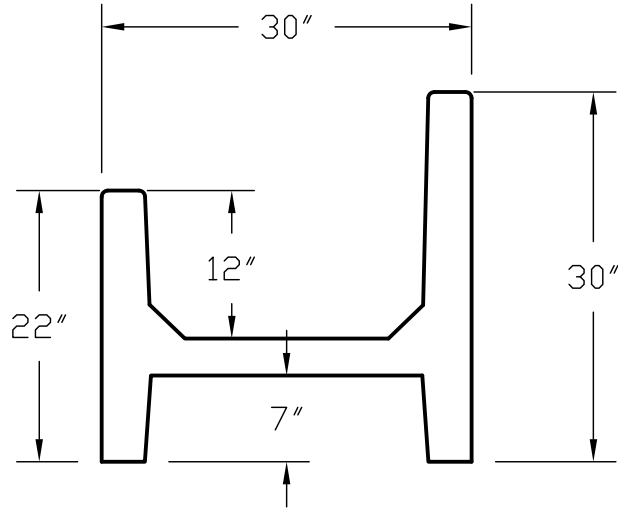
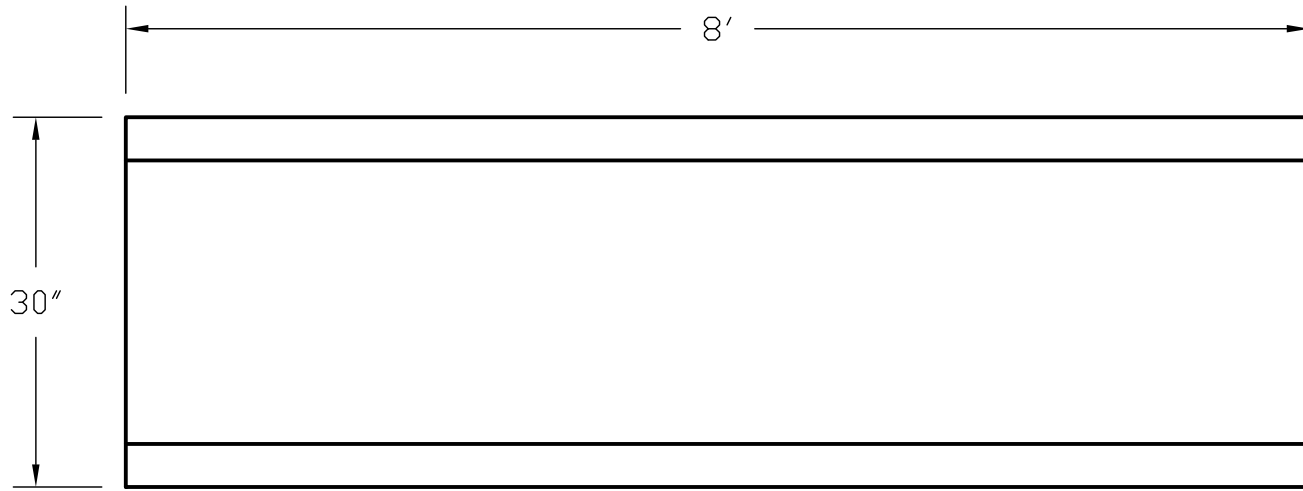


CALF FENCE LINE FEED BUNK



NOTE:
REGULAR 8' SECTION

DRAWN BY: SWT SCALE: NTS

DATE: 9/8/03 REV. DATE:

FILE: Auto Cad\Feed Bunk\calf fence line

WIESER CONCRETE

W3710 HWY 10 MAIDEN ROCK, WI 54750
800-325-8456

CUSTOMER NAME
CITY, STATE
COUNTY
111-111-1111

SHEET
0 / 0