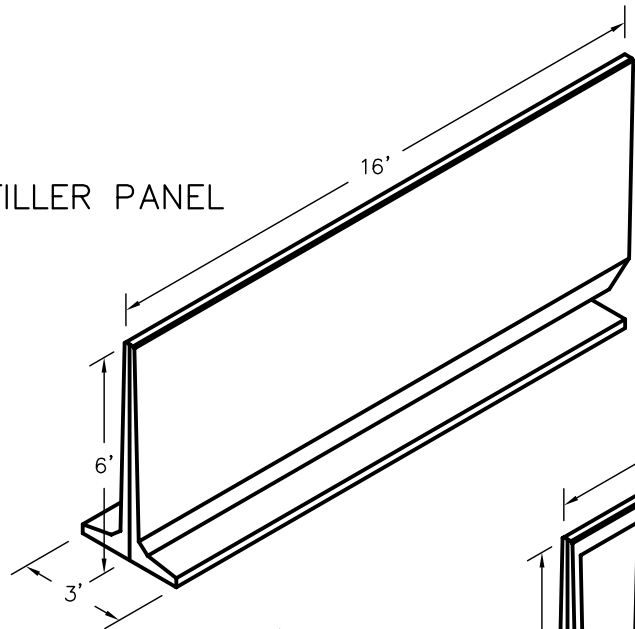
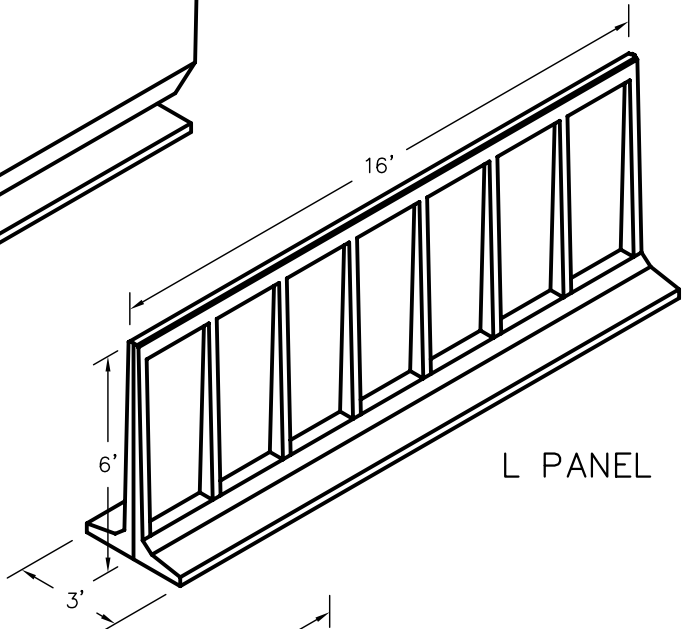


6' L & T PANEL

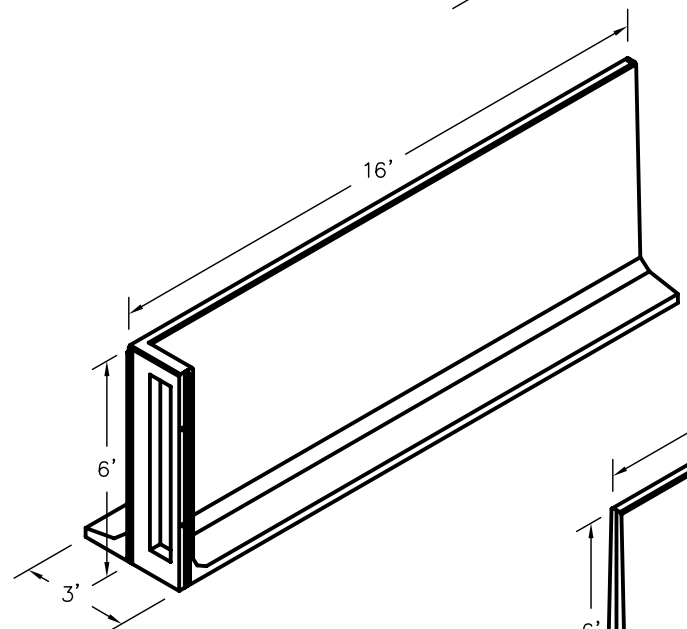
FILLER PANEL



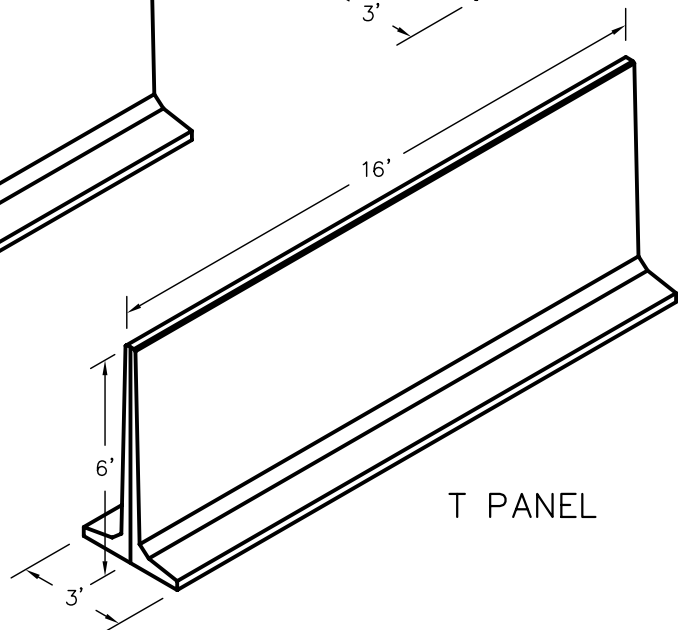
L PANEL



LEFT & RIGHT CORNER PANEL



T PANEL



SCALE: 3/16" = 1'	REV NO.	DATE:
DRAWN BY:		
DATE:		
FILE:		
WIESER CONCRETE		
W3716 US HWY10. MAIDEN ROCK, WI 54750		
800-325-8456		
6 FT L & T PANEL		
SHEET NO.		
0 / OF 0		