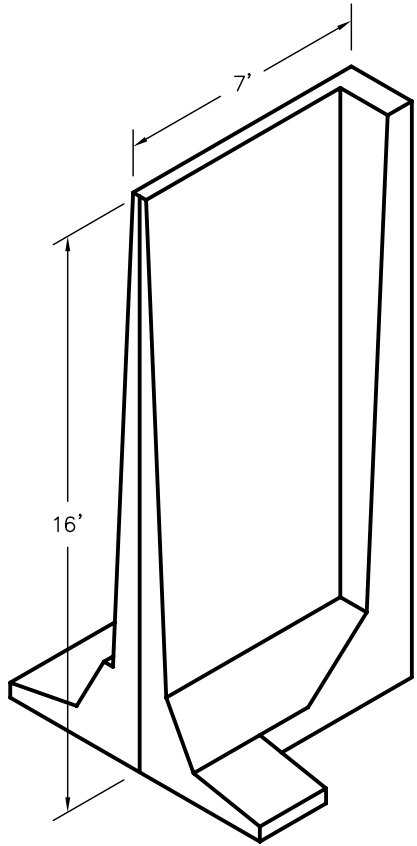
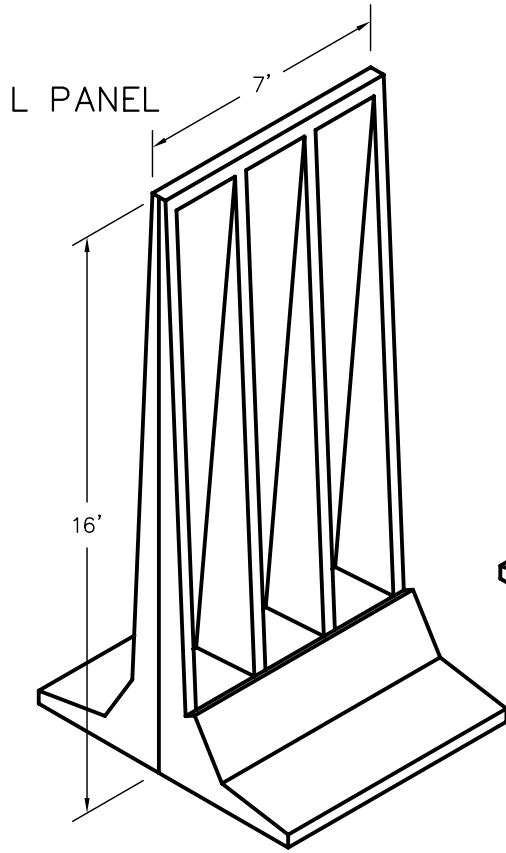


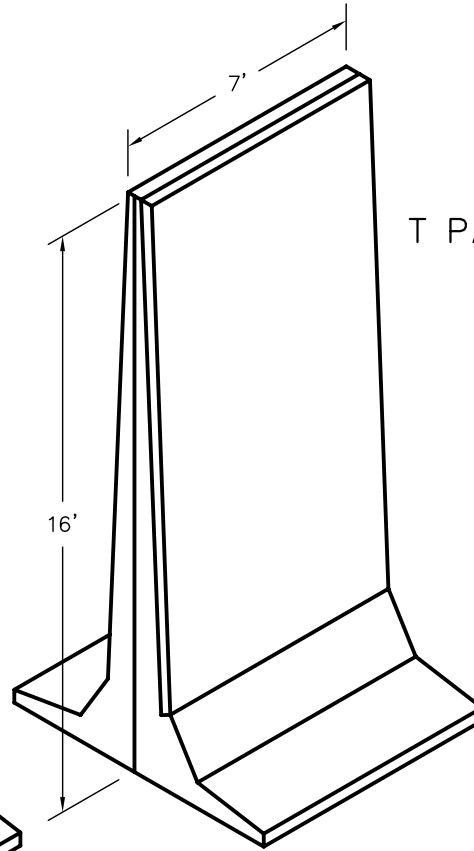
# 16' L & T PANEL



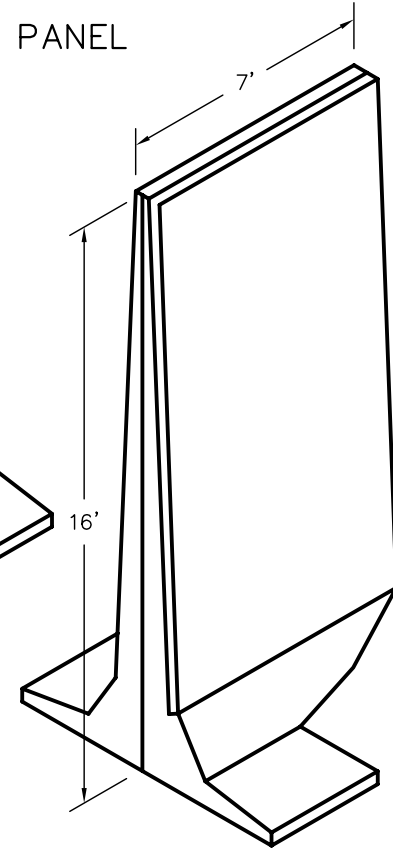
CORNER PANEL



L PANEL



T PANEL



FILLER PANEL

SCALE: 3/16" = 1'	REV. NO.	DATE:
DRAWN BY: SWT		
DATE:		
FILE:		
<b>WIESER CONCRETE</b> W3716 US HWY10. MAIDEN ROCK, WI 54750 800-325-8456		
16 FT L & T PANEL		
SHEET NO.		
0 / OF 0		