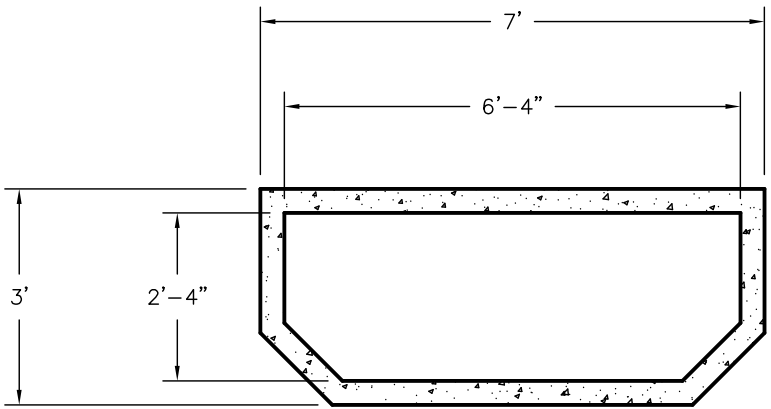
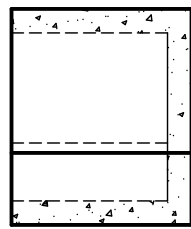


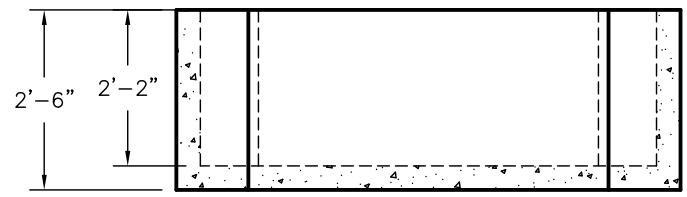
218 GALLON WATERER



TOP VIEW



END VIEW



SIDE VIEW

SHEET NO. 0 OF 0	COMPANY PROJECT: NAME LOCATION WIESER CONCRETE W3716 US HWY10, MAIDEN ROCK, WI 54750 800-325-8456	SCALE: 3/8" = 1' DRAWN BY: SWT DATE: DATE	REV. NO. DATE:
FILE: i:\auto_cad\water_tanks\water_tanks.dwg			