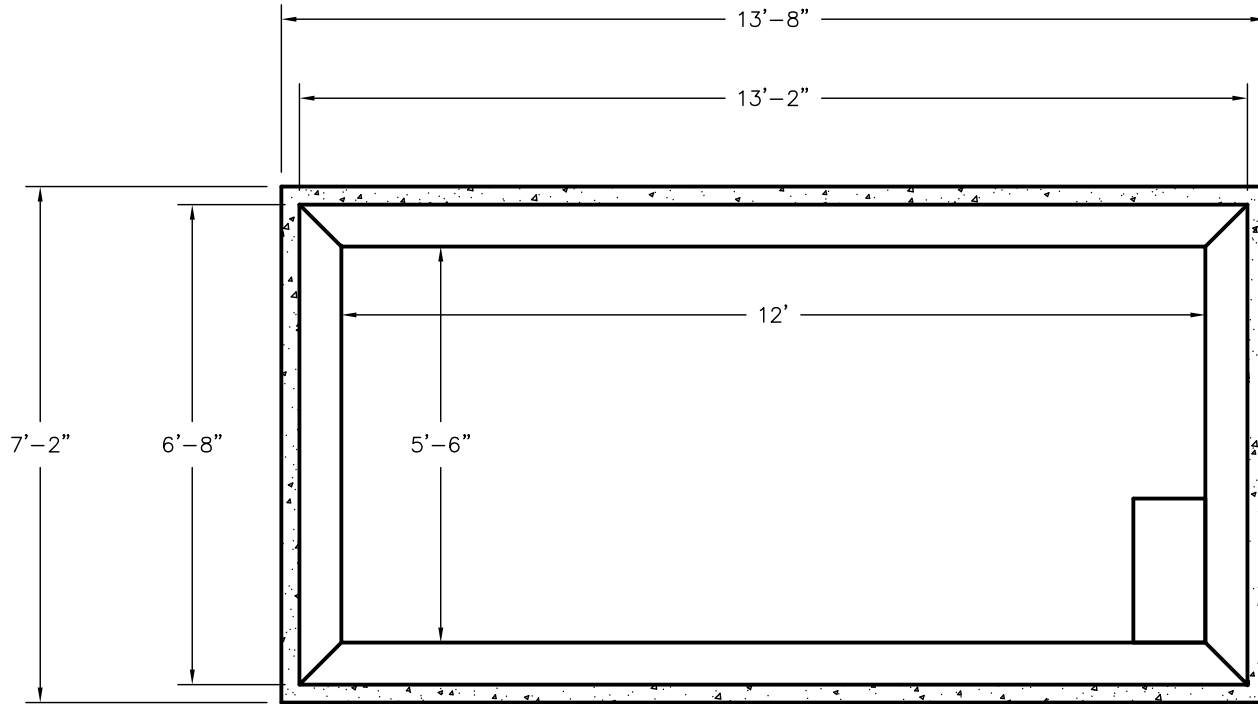
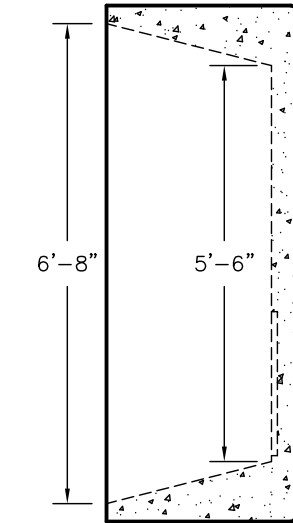


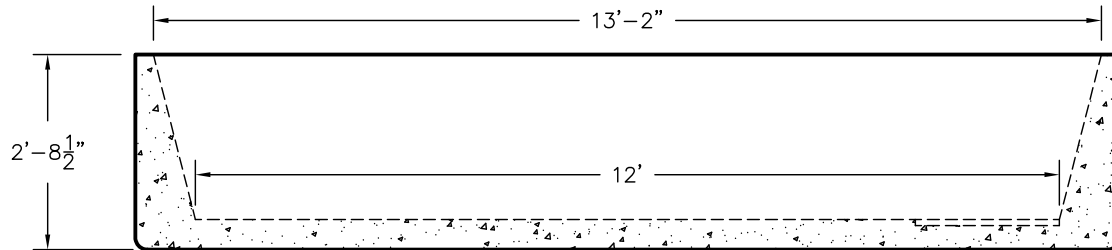
# 1,317 GALLON WATERER



TOP VIEW



END VIEW



SIDE VIEW

**WESER CONCRETE**  
 W3716 US HWY10, MAIDEN ROCK, WI 54750  
 800-325-8456

COMPANY PROJECT: NAME  
 LOCATION  
 PHONE

SHEET NO.  
 0  
 OF  
 0

SCALE: 3/8" = 1'	REV NO.	DATE:
DRAWN BY: SWT		
DATE: DATE		
FILE: i:\auto cad\water tanks\water tanks.dwg		