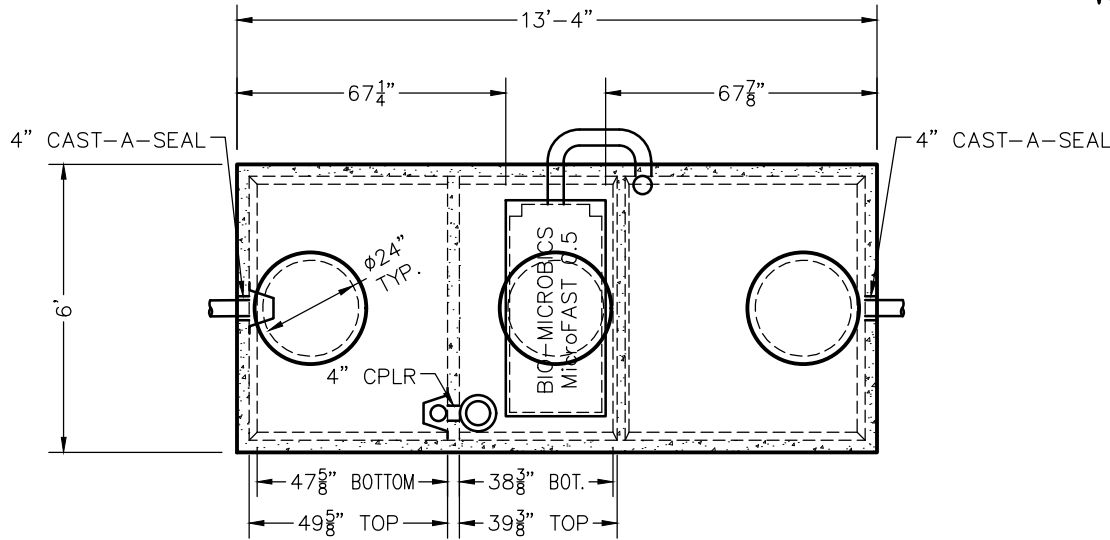
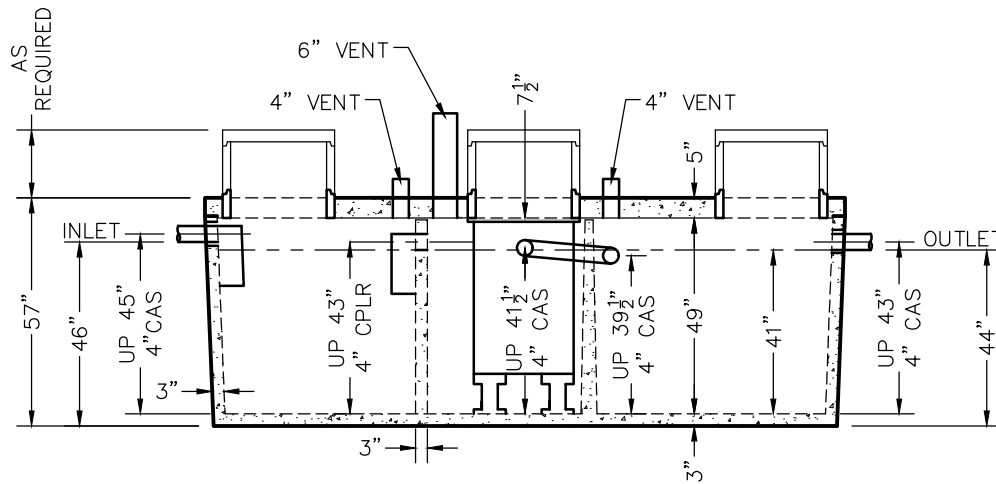


# WLP550/450/650 BIO 500 GPD MICROFAST® 0.5 TANK SPECIFICATIONS



**TOP VIEW**



**SIDE VIEW**

**DIMENSIONS:**  
 WALL: 3"  
 BOTTOM: 3"  
 COVER: 5"  
 MANHOLE: 24" I.D. PRECAST CONCRETE RISER  
 HEIGHT: 57" O.D.  
 LENGTH: 13'-4" O.D.  
 WIDTH: 6'-0" O.D.  
 BELOW INLET: 46" O.D.  
 LIQUID LEVEL: 41"  
 WEIGHT: BOTTOM 10,000 LBS.  
 COVER 5,000 LBS.

**INLET AND OUTLET:**  
 4" CAST-A-SEAL BOOT OR EQUAL GASKET

**INLET AND OUTLET Baffle AND FILTER:**  
 WISCONSIN, SEE DETAIL #10  
 (OTHER STATES SEE CHART)

**LIQUID CAPACITY:** 13.61 GAL/IN (SEPTIC)  
 11.13 GAL/IN (BIO)  
 15.93 GAL/IN (PUMP)

**LOADING DESIGN:** 8'-0" UNSATURATED SOIL

**COVER:** MIX DESIGN #8 (NO FIBER)  
**TANK:** MIX DESIGN #9 (SMALL FIBER)

**CUSTOMIZED TANKS:**  
 FOR CUSTOM TANKS CONTACT WIESER CONCRETE

REVIEWED BY \_\_\_\_\_  
 REVIEW DATE \_\_\_\_\_

**DRAWINGS SUBMITTED  
 FOR APPROVAL**

APPROVED BY: \_\_\_\_\_  
 APPROVAL DATE: \_\_\_\_\_  
 PRODUCTS NEEDED BY: \_\_\_\_\_

TANKS ARE MANUFACTURED TO MEET OR EXCEED ASTM C-1227 REQUIREMENTS

PRE-POUR:	DATE:	REV.	SCALE: 1/4" = 1'-0"
POST-POUR:	DRAWN BY: WCP	DATE: 00/00/00	FILE: wlp550-450-650 fdl microfast 500
<b>WIESER CONCRETE</b>			
W3716 US HWY 10, MAIDEN ROCK, WI 54750 800-325-8456			
WLP550-450-650 FDL MICROFAST 500		SEPTIC MANUAL	
SHEET NO. 1 OF 1			