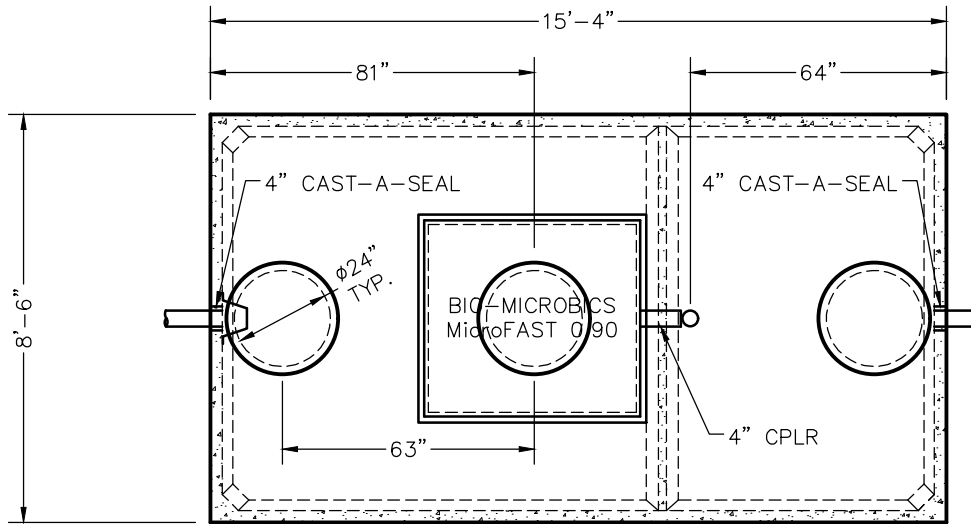
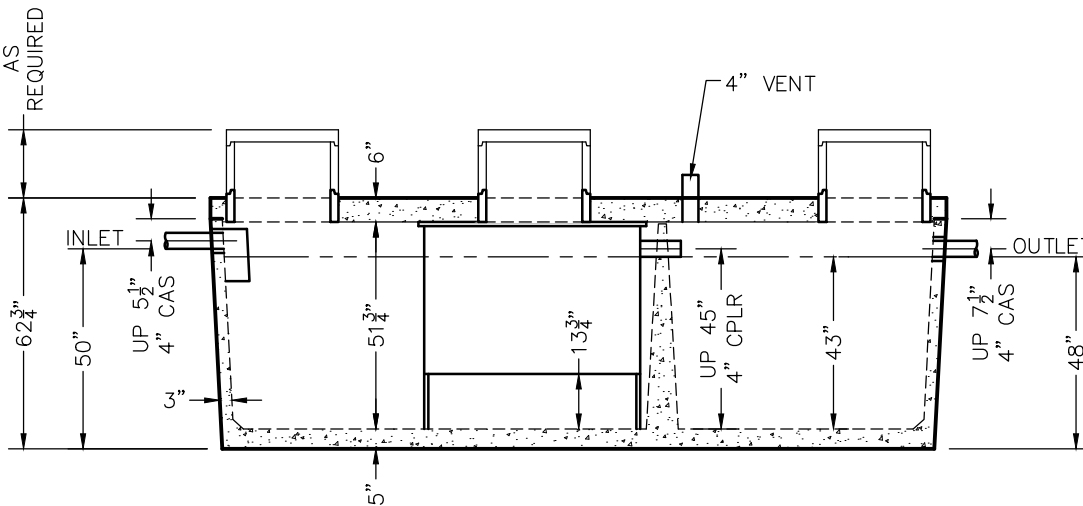


# WLP1800/1100 BIO 900 GPD MICROFAST® 0.90 TANK SPECIFICATIONS



TOP VIEW



SIDE VIEW

**DIMENSIONS:**

- WALL: 3"
- BOTTOM: 5"
- COVER: 6"
- MANHOLE: 24" I.D. PRECAST CONCRETE RISER
- HEIGHT: 62 3/4" O.D.
- LENGTH: 15'-4" O.D.
- WIDTH: 8'-6" O.D.
- BELOW INLET: 50" O.D.
- LIQUID LEVEL: 43"
- WEIGHT: TANK 18,017 LBS.
- WEIGHT: COVER 9,300 LBS.

**INLET AND OUTLET:**

4" CAST-A-SEAL BOOT OR EQUAL GASKET

**INLET Baffle:**

WISCONSIN, SEE DETAIL #10  
(OTHER STATES SEE CHART)

LIQUID CAPACITY: 41.86 GAL/IN (BIO)  
25.58 GAL/IN (PUMP)

LOADING DESIGN: 8'-0" UNSATURATED SOIL

COVER: MIX DESIGN #8 (NO FIBER)  
TANK: MIX DESIGN #9 (SMALL FIBER)

**CUSTOMIZED TANKS:**

FOR CUSTOM TANKS CONTACT WIESER CONCRETE

TANKS ARE MANUFACTURED TO MEET OR EXCEED ASTM C-1227 REQUIREMENTS

REVIEWED BY \_\_\_\_\_  
REVIEW DATE \_\_\_\_\_

**DRAWINGS SUBMITTED  
FOR APPROVAL**

APPROVED BY: \_\_\_\_\_  
APPROVAL DATE: \_\_\_\_\_  
PRODUCTS NEEDED BY: \_\_\_\_\_

SCALE: 1/4" = 1'-0"	REV.	DATE:	PRE-POUR:
DRAWN BY: WCP			POST-POUR:
DATE: 00/00/00			
FILE: wlp1800-1100 bio microfast 900			

**WIESER CONCRETE**  
W3716 US HWY 10, MAIDEN ROCK, WI 54750  
800-325-8456

WLP1800-1100 BIO  
MICROFAST 900  
SEPTIC MANUAL

SHEET NO.  
1 OF 1