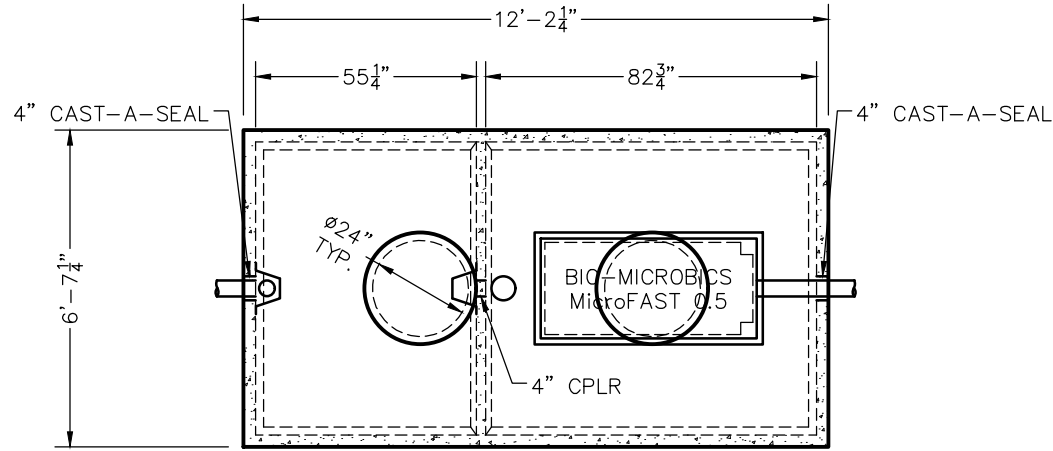
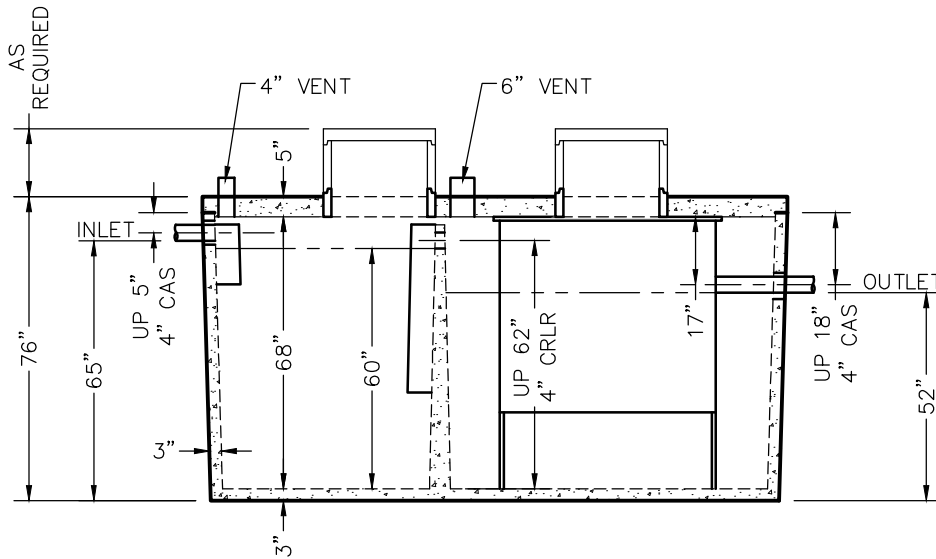


W975/1425 BIO 500 GPD MICROFAST® 0.5 TANK SPECIFICATIONS



TOP VIEW



SIDE VIEW

DIMENSIONS:

- WALL: 3"
- BOTTOM: 3"
- COVER: 5"
- MANHOLE: 24" I.D. PRECAST CONCRETE RISER
- HEIGHT: 76" O.D.
- LENGTH: 12'-2 1/4" O.D.
- WIDTH: 6'-7 1/4" O.D.
- BELOW INLET: 65" O.D.
- LIQUID LEVEL: 60"
- WEIGHT: BOTTOM 15,065 LBS.
COVER 5,030 LBS.

INLET AND OUTLET:

4" CAST-A-SEAL BOOT OR EQUAL GASKET

INLET AND OUTLET BAFFLES:

AS SHOWN

LIQUID CAPACITY: 16.44 GAL/IN (SEPTIC)
24.91 GAL/IN (BIO)

LOADING DESIGN: 8'-0" UNSATURATED SOIL

COVER: MIX DESIGN #8 (NO FIBER)
TANK: MIX DESIGN #9 (SMALL FIBER)

CUSTOMIZED TANKS:

FOR CUSTOM TANKS CONTACT WIESER CONCRETE

REVIEWED BY _____
REVIEW DATE _____

**DRAWINGS SUBMITTED
FOR APPROVAL**

APPROVED BY: _____
APPROVAL DATE: _____
PRODUCTS NEEDED BY: _____

TANKS ARE MANUFACTURED TO MEET OR EXCEED ASTM C-1227 REQUIREMENTS

PRE-POUR:	DATE:	REV.	SCALE: 1/4" = 1'-0"
POST-POUR:	DRAWN BY: WCP	DATE: 00/00/00	FILE: w975-1425 bio microfast 500
WIESER CONCRETE			
w3716 US HWY 10, MAIDEN ROCK, WI 54750 800-325-8456			
W975-1425 BIO MICROFAST 500			
SEPTIC MANUAL			
SHEET NO. 1 OF 1			