

W950/475/900-P BIO 500 GPD MICROFAST® 0.5 TANK SPECIFICATIONS

DIMENSIONS:
 WALL: 3"
 BOTTOM: 3"
 COVER: 5"
 MANHOLE: 24" I.D. OSI STARTER
 HEIGHT: 76" O.D.
 LENGTH: 12'-2 1/4" O.D.
 WIDTH: 6'-7 1/4" O.D.
 BELOW INLET: 65" O.D.
 LIQUID LEVEL: 60" (SEPTIC)
 WEIGHT: BOTTOM 15,065 LBS.
 COVER 5,030 LBS.

INLET AND OUTLET:
 4" CAST-A-SEAL BOOT OR EQUAL GASKET

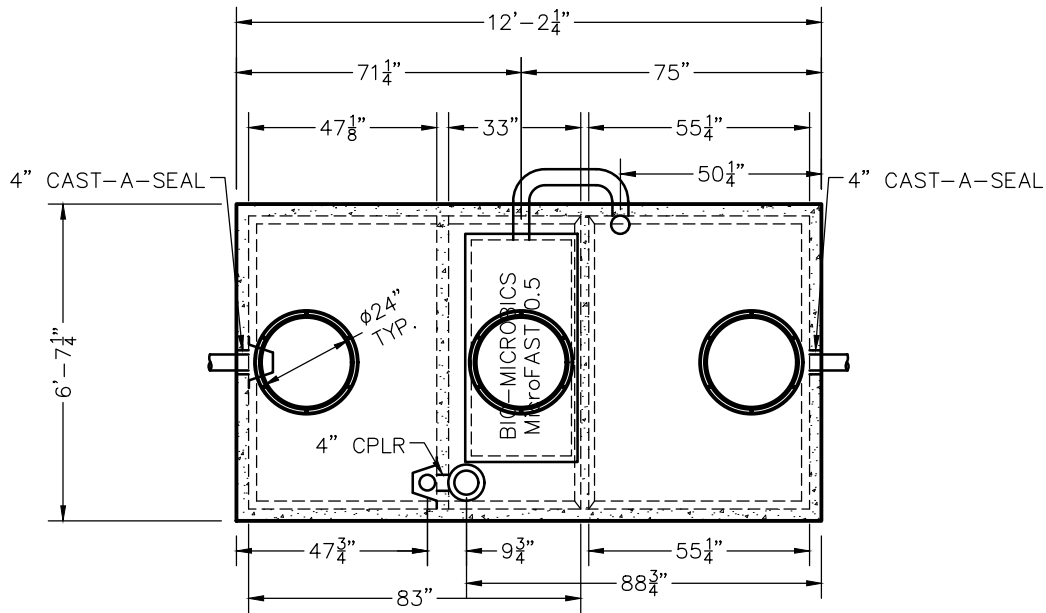
INLET AND OUTLET BAFFLE:
 AS SHOWN

LIQUID CAPACITY: 16.03 GAL/IN (SEPTIC)
 8.55 GAL/IN (BIO)
 15.43 GAL/IN (PUMP)

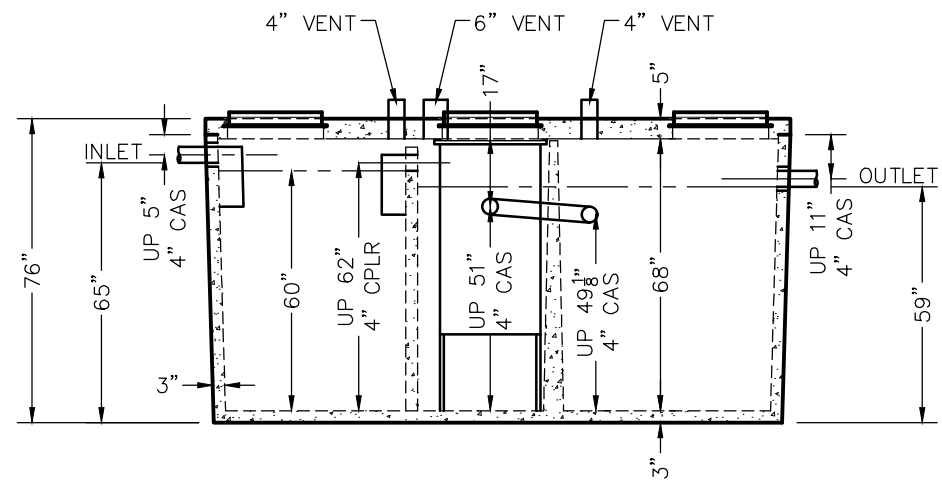
LOADING DESIGN: 8'-0" UNSATURATED SOIL

COVER: MIX DESIGN #8 (NO FIBER)
TANK: MIX DESIGN #9 (SMALL FIBER)

CUSTOMIZED TANKS:
 FOR CUSTOM TANKS CONTACT WIESER CONCRETE



TOP VIEW



SIDE VIEW

TANKS ARE MANUFACTURED TO MEET OR EXCEED ASTM C-1227 REQUIREMENTS

REVIEWED BY _____
 REVIEW DATE _____

**DRAWINGS SUBMITTED
 FOR APPROVAL**

APPROVED BY: _____
 APPROVAL DATE: _____
 PRODUCTS NEEDED BY: _____

PRE-POUR:	DATE:	REV.	SCALE: 1/4" = 1'-0"
POST-POUR:			DRAWN BY: WCP
			DATE: 00/00/00
FILE: w950-475-900-p bio microfast 500			
WIESER CONCRETE			
W3716 US HWY 10, MAIDEN ROCK, WI 54750			
800-325-8456			
W950-475-900-P BIO MICROFAST 500		SEPTIC MANUAL	
SHEET NO. 1		OF 1	