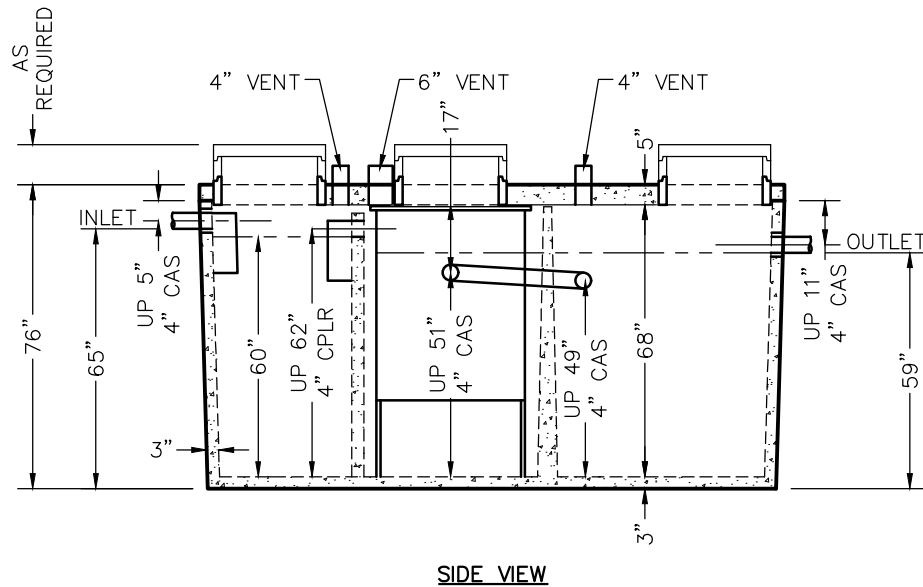
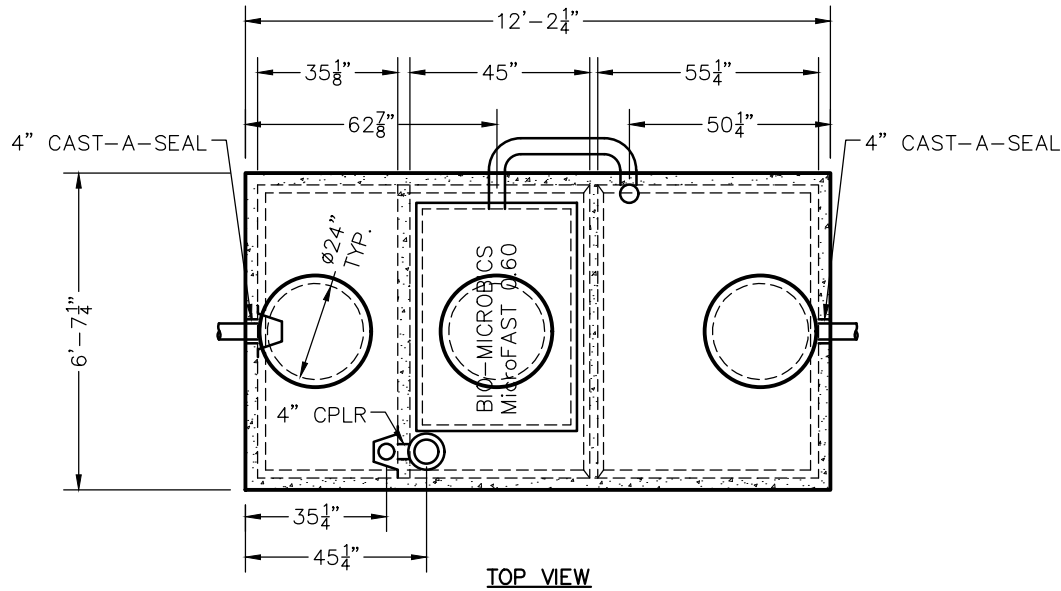


# W700/700/900-P BIO 600 GPD MICROFAST® 0.60 TANK SPECIFICATIONS



**DIMENSIONS:**  
 WALL: 3"  
 BOTTOM: 3"  
 COVER: 5"  
 MANHOLE: 24" I.D. PRECAST CONCRETE RISER  
 HEIGHT: 76" O.D.  
 LENGTH: 12'-2 1/4" O.D.  
 WIDTH: 6'-7 1/4" O.D.  
 BELOW INLET: 65" O.D.  
 LIQUID LEVEL: 60" (SEPTIC)  
 WEIGHT: BOTTOM 15,065 LBS.  
 COVER 5,030 LBS.

**INLET AND OUTLET:**  
 4" CAST-A-SEAL BOOT OR EQUAL GASKET

**INLET AND OUTLET BAFFLE:**  
 AS SHOWN

**LIQUID CAPACITY:** 12.29 GAL/IN (SEPTIC)  
 12.29 GAL/IN (BIO)  
 16.44 GAL/IN (PUMP)

**LOADING DESIGN:** 8'-0" UNSATURATED SOIL

**COVER:** MIX DESIGN #8 (NO FIBER)  
**TANK:** MIX DESIGN #9 (SMALL FIBER)

**CUSTOMIZED TANKS:**  
 FOR CUSTOM TANKS CONTACT WIESER CONCRETE

REVIEWED BY \_\_\_\_\_  
 REVIEW DATE \_\_\_\_\_

**DRAWINGS SUBMITTED  
 FOR APPROVAL**

APPROVED BY: \_\_\_\_\_  
 APPROVAL DATE: \_\_\_\_\_  
 PRODUCTS NEEDED BY: \_\_\_\_\_

TANKS ARE MANUFACTURED TO MEET OR EXCEED ASTM C-1227 REQUIREMENTS

PRE-POUR:		DATE:		REV.	
SCALE: 1/4" = 1'-0"	DRAWN BY: WCP	DATE: 00/00/00			
<b>WIESER CONCRETE</b>		W3716 US HWY 10, MAIDEN ROCK, WI 54750			
800-325-8456		FILE: w700-700-900-p bio microfast 600			
W700-700-900-P BIO MICROFAST 600	SEPTIC MANUAL				
		SHEET NO.			
		1	OF		
		1			