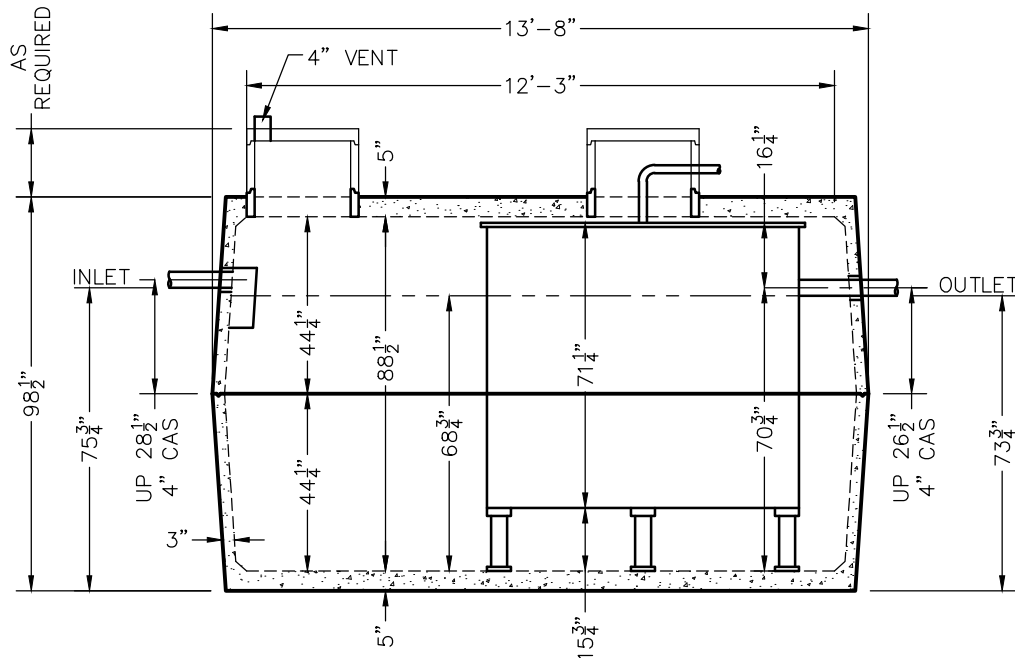


TOP VIEW



SIDE VIEW

W4000 BIO 3000 GPD MICROFAST® 3.0 OR HIGH STRENGTH FAST® 3.0 TANK SPECIFICATIONS

DIMENSIONS:

- WALL: 3"
- BOTTOM: 5"
- COVER: 5"
- MANHOLE: 24" I.D. PRECAST CONCRETE RISER
- HEIGHT: 98 1/2" O.D.
- LENGTH: 13'-8" O.D.
- WIDTH: 8'-0" O.D.
- BELOW INLET: 75 3/4" O.D.
- LIQUID LEVEL: 68 3/4"
- WEIGHT: 14,720 LBS. PER SECTION

INLET AND OUTLET:

4" CAST-A-SEAL BOOT OR EQUAL GASKET

INLET AND OUTLET BAFFLES:

AS SHOWN

LIQUID CAPACITY: 55.85 GAL/IN

BIO UNIT LOADING DESIGN:

4'-0" UNSATURATED SOIL

TANK: MIX DESIGN #9 (SMALL FIBER)

CUSTOMIZED TANKS:

FOR CUSTOM TANKS CONTACT WIESER CONCRETE

PRE-POUR:		DATE:	
SCALE: 1/4" = 1'-0"	REV.	REV.	REV.
DRAWN BY: WCP	DATE: 00/00/00	DATE:	DATE:
POST-POUR:		FILE: w4000 bio hs fast 3000	

WIESER CONCRETE
 W3716 US HWY 10, MAIDEN ROCK, WI 54750
 800-325-8456

W4000 BIO HS FAST 3000
 SEPTIC MANUAL

SHEET NO.
 1 OF 1

REVIEWED BY _____
 REVIEW DATE _____

**DRAWINGS SUBMITTED
 FOR APPROVAL**

APPROVED BY: _____
 APPROVAL DATE: _____
 PRODUCTS NEEDED BY: _____