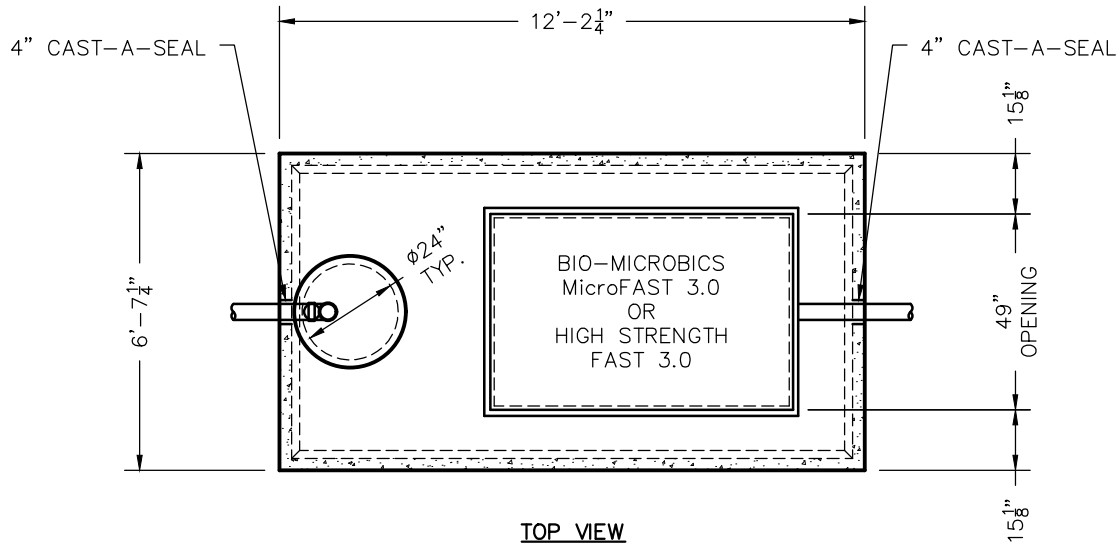
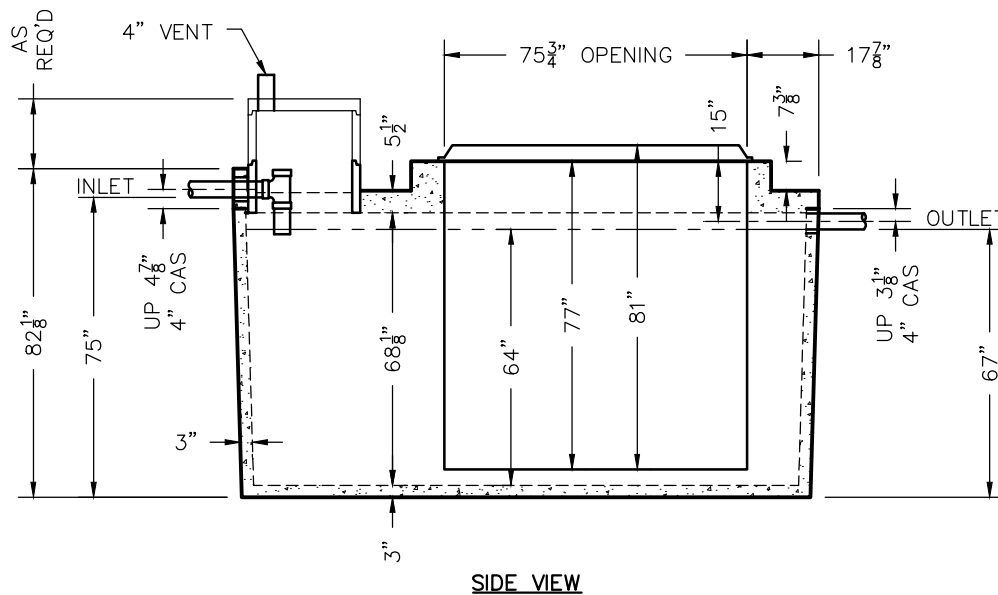


W2700 BIO – 3000 GPD
 MICROFAST® 3.0
 OR HIGH STRENGTH FAST® 3.0
TANK SPECIFICATIONS



TOP VIEW



SIDE VIEW

DIMENSIONS:

WALL: 3"
 BOTTOM: 3"
 COVER: 5 1/2"
 MANHOLE: 24" I.D. PRECAST CONCRETE RISER
 HEIGHT: 82 1/8" O.D.
 LENGTH: 12'-2 1/4" O.D.
 WIDTH: 6'-7 1/4" O.D.
 BELOW INLET: 75" O.D.
 LIQUID LEVEL: 64"
 WEIGHT: BOTTOM 15,065 LBS.
 COVER 5,030 LBS.

INLET AND OUTLET:

4" CAST-A-SEAL BOOT OR EQUAL GASKET

INLET AND OUTLET Baffle AND FILTER:

AS SHOWN

LIQUID CAPACITY: 42.46 GAL/IN

TANK LOADING DESIGN: 8'-0" UNSATURATED SOIL

BIO UNIT LOADING DESIGN:

4'-0" UNSATURATED SOIL

COVER: MIX DESIGN #8 (NO FIBER)

TANK: MIX DESIGN #9 (SMALL FIBER)

CUSTOMIZED TANKS:

FOR CUSTOM TANKS CONTACT WIESER CONCRETE

REVIEWED BY _____
 REVIEW DATE _____

**DRAWINGS SUBMITTED
 FOR APPROVAL**

APPROVED BY: _____
 APPROVAL DATE: _____
 PRODUCTS NEEDED BY: _____

TANKS ARE MANUFACTURED TO MEET OR EXCEED ASTM C-1227 REQUIREMENTS

PRE-POUR:	DATE:	REV.	SCALE: 1/4" = 1'-0"
POST-POUR:			DRAWN BY: WCP
			DATE: 00/00/00
FILE: w2700 bio hs fast 3000			
WIESER CONCRETE			
W3716 US HWY 10, MAIDEN ROCK, WI 54750			
800-325-8456			
W2700 BIO HS FAST 3000		SEPTIC MANUAL	
SHEET NO.		1 OF 1	