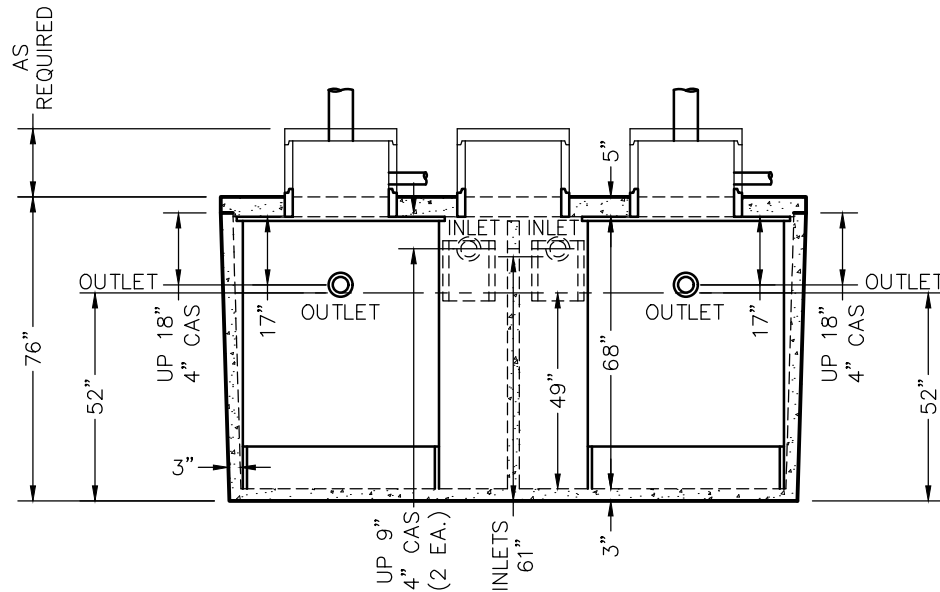


TOP VIEW



SIDE VIEW

TANKS ARE MANUFACTURED TO MEET OR EXCEED ASTM C-1227 REQUIREMENTS

## W2400 BIO (2) MICROFAST® 0.9 – 900 GPD OR HIGH STRENGTH FAST® 1.0 – 1000 GPD TANK SPECIFICATIONS

**DIMENSIONS:**

- WALL: 3"
- BOTTOM: 3"
- COVER: 5"
- MANHOLE: 24" I.D. PRECAST CONCRETE RISER
- HEIGHT: 76" O.D.
- LENGTH: 12'-2 1/4" O.D.
- WIDTH: 6'-7 1/4" O.D.
- BELOW INLET: 61" O.D.
- LIQUID LEVEL: 49"
- WEIGHT: BOTTOM 15,065 LBS.  
COVER 5,030 LBS.

**INLET AND OUTLET BAFLES:**

4" CAST-A-SEAL BOOT OR EQUAL GASKET

**INLET BAFFLE:**

AS SHOWN

LIQUID CAPACITY: 42.46 GAL/IN

LOADING DESIGN: 8'-0" UNSATURATED SOIL

COVER: MIX DESIGN #8 (NO FIBER)

TANK: MIX DESIGN #9 (SMALL FIBER)

**CUSTOMIZED TANKS:**

FOR CUSTOM TANKS CONTACT WIESER CONCRETE

REVIEWED BY _____	REVIEW DATE _____
<b>DRAWINGS SUBMITTED FOR APPROVAL</b>	
APPROVED BY: _____	
APPROVAL DATE: _____	
PRODUCTS NEEDED BY: _____	

PRE-POUR:	DATE:	REV.	SCALE: 1/4" = 1'-0"
POST-POUR:	DATE:	REV.	DRAWN BY: WCP
DATE: 00/00/00		FILE: w2400 bio microfast (2) 900	

W3716 US HWY 10, MAIDEN ROCK, WI 54750  
800-325-8456

<b>W2400 BIO MICROFAST (2)</b> 900	<b>SEPTIC MANUAL</b>
SHEET NO. 1 OF 1	