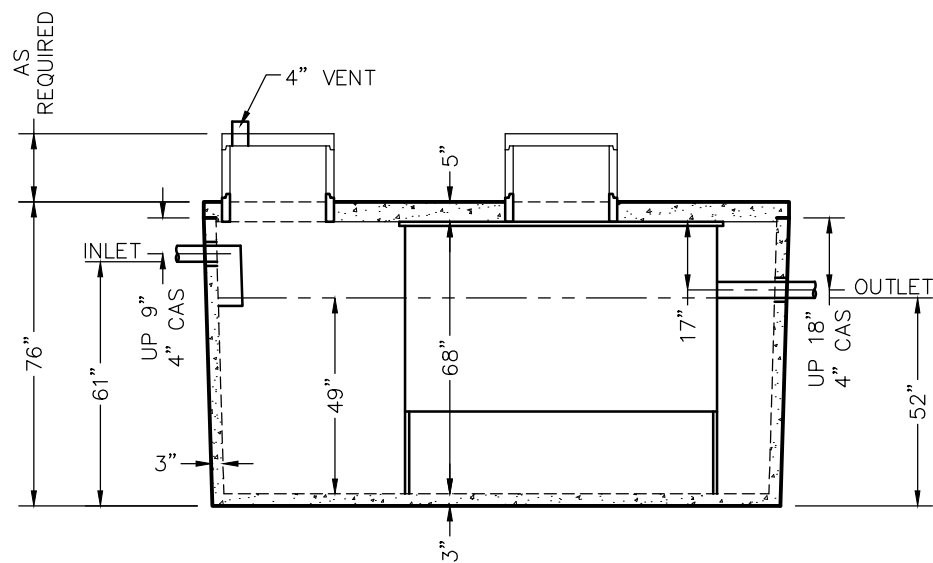


TOP VIEW



SIDE VIEW

W2400 BIO 1500 GPD MICROFAST® 1.5 OR HIGH STRENGTH FAST® 1.5 TANK SPECIFICATIONS

DIMENSIONS:

WALL: 3"
 BOTTOM: 3"
 COVER: 5"
 MANHOLE: 24" I.D. PRECAST CONCRETE RISER
 HEIGHT: 76" O.D.
 LENGTH: 12'-2 1/4" O.D.
 WIDTH: 6'-7 1/4" O.D.
 BELOW INLET: 61" O.D.
 LIQUID LEVEL: 49"
 WEIGHT: BOTTOM 15,065 LBS.
 COVER 5,030 LBS.

INLET AND OUTLET:

4" CAST-A-SEAL BOOT OR EQUAL GASKET

INLET AND OUTLET BAFFLES:

AS SHOWN

LIQUID CAPACITY: 42.64 GAL/IN

LOADING DESIGN: 8'-0" UNSATURATED SOIL

COVER: MIX DESIGN #8 (NO FIBER)

TANK: MIX DESIGN #9 (SMALL FIBER)

CUSTOMIZED TANKS:

FOR CUSTOM TANKS CONTACT WIESER CONCRETE

REVIEWED BY _____
 REVIEW DATE _____

**DRAWINGS SUBMITTED
 FOR APPROVAL**

APPROVED BY: _____
 APPROVAL DATE: _____
 PRODUCTS NEEDED BY: _____

PRE-POUR:	DATE:	REV.	SCALE: 1/4" = 1'-0"
POST-POUR:			DRAWN BY: WCP
			DATE: 00/00/00
			FILE: w2400 bio hs fast 1500
WIESER CONCRETE			
W3716 US HWY 10, MAIDEN ROCK, WI 54750 800-325-8456			
W2400 BIO HS FAST 1500 SEPTIC MANUAL			
SHEET NO.			1
OF			1