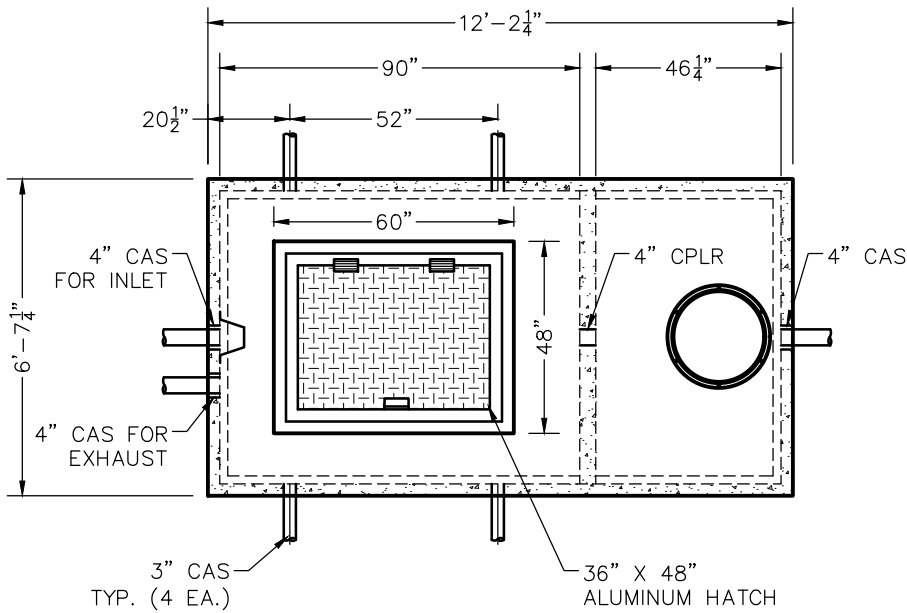


W1648/822 NIBBLER/CLARIFIER TANK SPECIFICATIONS



TOP VIEW

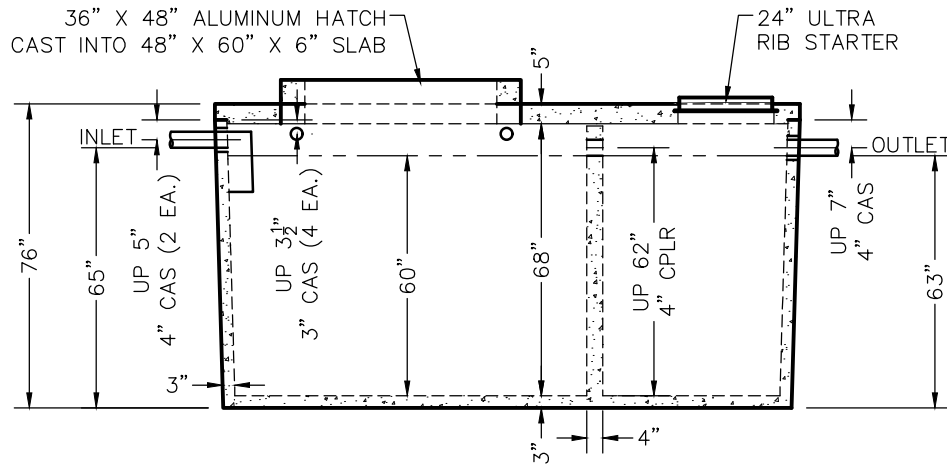
DIMENSIONS:
 WALL: 3"
 BOTTOM: 3"
 COVER: 5"
 MANHOLE: 24" I.D. ULTRA RIB STARTER
 36" X 48" ALUMINUM HATCH
 HEIGHT: 76" O.D.
 LENGTH: 12'-2 1/4" O.D.
 WIDTH: 6'-7 1/4" O.D.
 BELOW INLET: 65" O.D.
 LIQUID LEVEL: 60"
 WEIGHT: BOTTOM 15,065 LBS.
 COVER 5,030 LBS.

INLET AND OUTLET:
 3" & 4" CAST-A-SEAL BOOT OR EQUAL GASKET

LIQUID CAPACITY: 27.47 GAL/IN (SEPTIC)
 13.70 GAL/IN (PUMP)

LOADING DESIGN: 8'-0" UNSATURATED SOIL

COVER: MIX DESIGN #8 (NO FIBER)
TANK: MIX DESIGN #9 (SMALL FIBER)



SIDE VIEW

TANKS ARE MANUFACTURED TO MEET OR EXCEED ASTM C-1227 REQUIREMENTS

REVIEWED BY _____
 REVIEW DATE _____

**DRAWINGS SUBMITTED
FOR APPROVAL**

APPROVED BY: _____
 APPROVAL DATE: _____
 PRODUCTS NEEDED BY: _____

PRE-POUR:	DATE:	REV.	SCALE: 1/4" = 1'-0"
POST-POUR:	DATE:	REV.	DRAWN BY: WCP
			DATE: 00/00/00
FILE: w1648-822 nibbler			

WIESER CONCRETE
 W3716 US HWY 10, MAIDEN ROCK, WI 54750
 800-325-8456

W1648-822 NIBBLER
 SEPTIC MANUAL

SHEET NO.
 1 OF 1