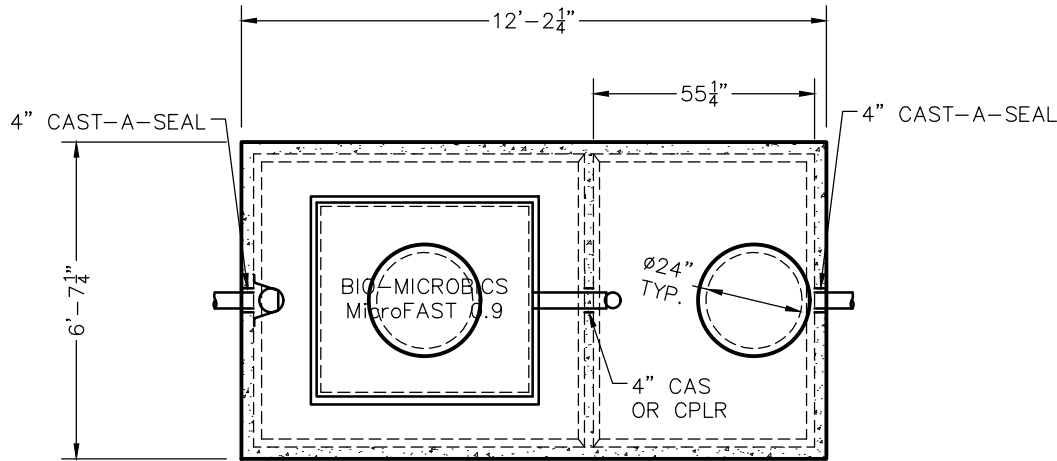


W1425/975 BIO 900 GPD MICROFAST® 0.9 TANK SPECIFICATIONS



TOP VIEW

DIMENSIONS:
 WALL: 3"
 BOTTOM: 3"
 COVER: 5"
 MANHOLE: 24" I.D. PRECAST CONCRETE RISER
 HEIGHT: 76" O.D.
 LENGTH: 12'-2 1/4" O.D.
 WIDTH: 6'-7 1/4" O.D.
 BELOW INLET: 61" O.D.
 LIQUID LEVEL: 49"
 WEIGHT: BOTTOM 15,065 LBS.
 COVER 5,030 LBS.

INLET AND OUTLET:
 4" CAST-A-SEAL BOOT OR EQUAL GASKET

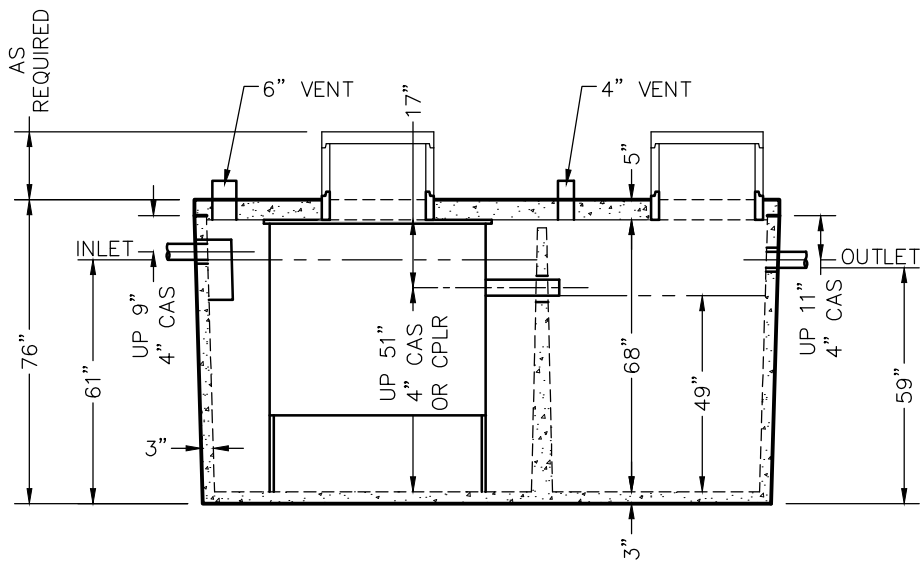
INLET AND OUTLET BAFFLES:
 AS SHOWN

LIQUID CAPACITY: 16.44 GAL/IN (PUMP)
 24.91 GAL/IN (BIO)

LOADING DESIGN: 8'-0" UNSATURATED SOIL

COVER: MIX DESIGN #8 (NO FIBER)
TANK: MIX DESIGN #9 (SMALL FIBER)

CUSTOMIZED TANKS:
 FOR CUSTOM TANKS CONTACT WIESER CONCRETE



SIDE VIEW

PRE-POUR:		DATE:		REV.	
SCALE: 1/4" = 1'-0"	DRAWN BY: WCP	DATE: 00/00/00	FILE: w1425-975 bio microfast 900		
WIESER CONCRETE					
W3716 US HWY 10, MAIDEN ROCK, WI 54750 800-325-8456					
W1425-975 BIO MICROFAST 900					
SEPTIC MANUAL					
SHEET NO. 1 OF 1					

REVIEWED BY _____
 REVIEW DATE _____

**DRAWINGS SUBMITTED
FOR APPROVAL**

APPROVED BY: _____
 APPROVAL DATE: _____
 PRODUCTS NEEDED BY: _____