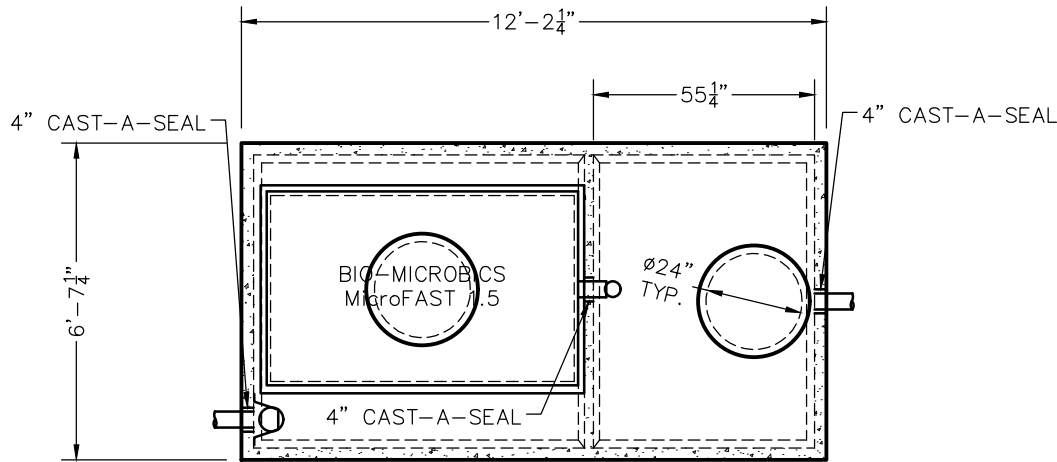
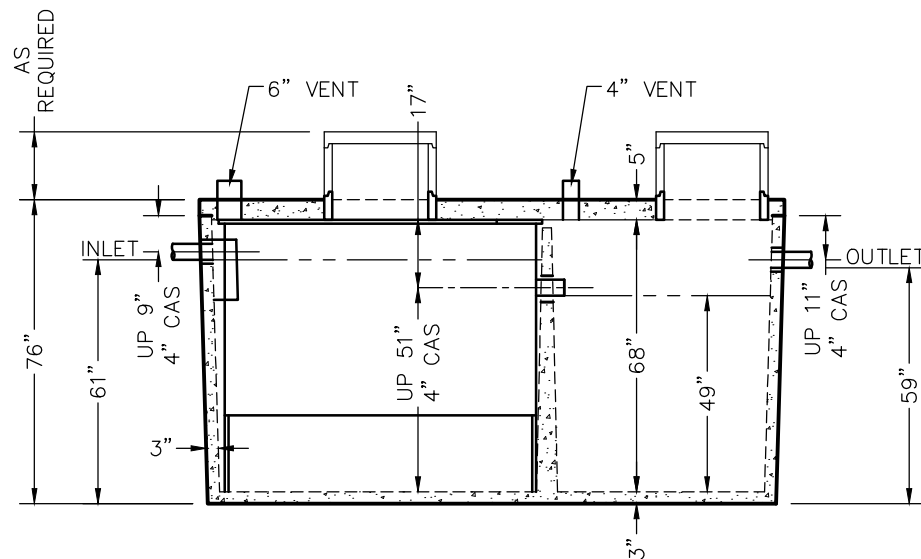


W1425/975 BIO 1500 GPD HIGH STRENGTH FAST & MICROFAST® 1.5 TANK SPECIFICATIONS



TOP VIEW



SIDE VIEW

DIMENSIONS:

- WALL: 3"
- BOTTOM: 3"
- COVER: 5"
- MANHOLE: 24" I.D. PRECAST CONCRETE RISER
- HEIGHT: 76" O.D.
- LENGTH: 12'-2 1/4" O.D.
- WIDTH: 6'-7 1/4" O.D.
- BELOW INLET: 61" O.D.
- LIQUID LEVEL: 49"
- WEIGHT: BOTTOM 15,065 LBS.
COVER 5,030 LBS.

INLET AND OUTLET:

4" CAST-A-SEAL BOOT OR EQUAL GASKET

INLET AND OUTLET BAFFLES:

AS SHOWN

LIQUID CAPACITY: 16.44 GAL/IN (PUMP)
24.91 GAL/IN (BIO)

LOADING DESIGN: 8'-0" UNSATURATED SOIL

COVER: MIX DESIGN #8 (NO FIBER)
TANK: MIX DESIGN #9 (SMALL FIBER)

CUSTOMIZED TANKS:

FOR CUSTOM TANKS CONTACT WIESER CONCRETE

REVIEWED BY _____
REVIEW DATE _____

**DRAWINGS SUBMITTED
FOR APPROVAL**

APPROVED BY: _____
APPROVAL DATE: _____
PRODUCTS NEEDED BY: _____

TANKS ARE MANUFACTURED TO MEET OR EXCEED ASTM C-1227 REQUIREMENTS

PRE-POUR:		DATE:		WIESER CONCRETE W3716 US HWY 10, MAIDEN ROCK, WI 54750 800-325-8456
REV.	SCALE: 1/4" = 1'-0"	DRAWN BY: WCP	DATE: 00/00/00	
POST-POUR:				
FILE: w1425-975 bio microfast 1500				SEPTIC MANUAL
W1425-975 BIO MICROFAST 1500				SHEET NO. 1 OF 1