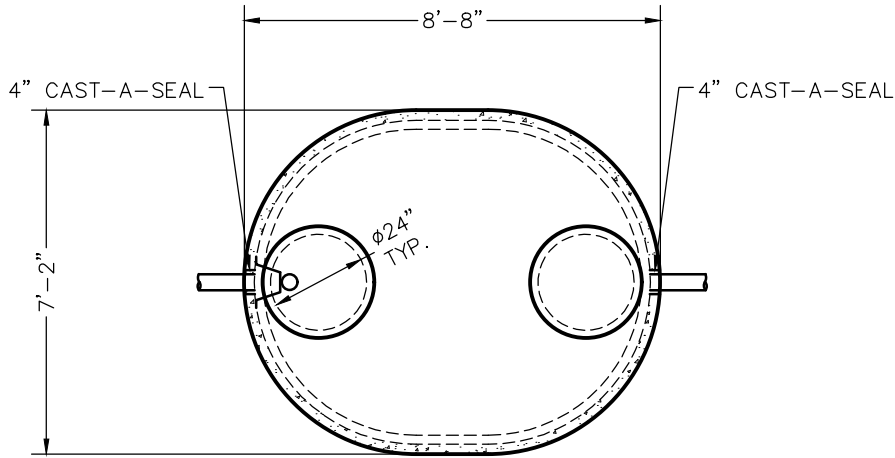
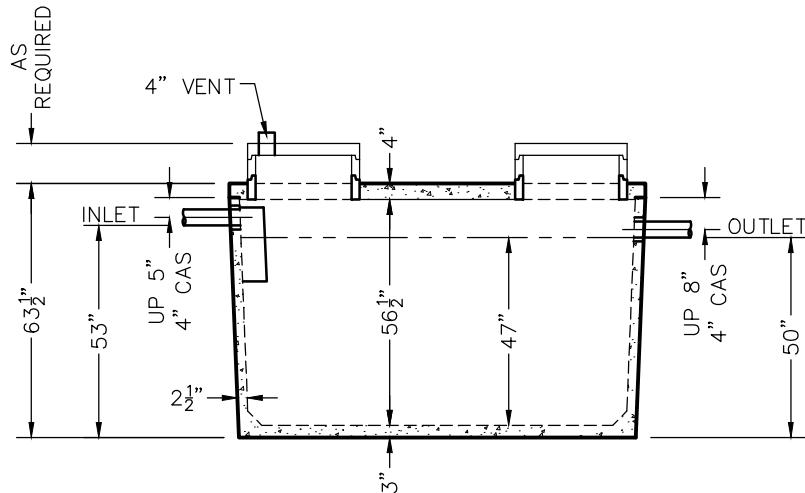


W1250-MR NIBBLER JR. TANK SPECIFICATIONS



TOP VIEW



SIDE VIEW

DIMENSIONS:

WALL: 2 1/2"
 BOTTOM: 3"
 COVER: 4"
 MANHOLE: 24" I.D. PRECAST CONCRETE RISER
 HEIGHT: 63 1/2" O.D.
 LENGTH: 8'-8" O.D.
 WIDTH: 7'-2" O.D.
 BELOW INLET: 53" O.D.
 LIQUID LEVEL: 47"
 WEIGHT: BOTTOM 5,745 LBS.
 COVER 2,555 LBS.

INLET AND OUTLET:

4" CAST-A-SEAL BOOT OR EQUAL GASKET

INLET Baffle: MINIMUM 2" SPACE BETWEEN TOP OF Baffle AND BOTTOM OF TANK COVER, MINIMUM OF 6" ABOVE LIQUID LEVEL AND MINIMUM 9" BELOW LIQUID LEVEL.

LIQUID CAPACITY: 26.81 GAL/IN

LOADING DESIGN: 8'-0" UNSATURATED SOIL

OPTIONAL CONCRETE RISERS AND LIDS

TANK CAN BE USED AS:

NIBBLER JR. MODELS NJRG-0002,
NJRL-0002 AND NJRC-0002

COVER: MIX DESIGN #8 (NO FIBER)

TANK: MIX DESIGN #10 (STRUCTURAL FIBER)

CUSTOMIZED TANKS:

FOR CUSTOM TANKS CONTACT WIESER CONCRETE

REVIEWED BY _____
 REVIEW DATE _____

**DRAWINGS SUBMITTED
FOR APPROVAL**

APPROVED BY: _____
 APPROVAL DATE: _____
 PRODUCTS NEEDED BY: _____

PRE-POUR:		DATE:		REV.	
SCALE: 1/4" = 1'-0"	DRAWN BY: WCP	DATE: 00/00/00	FILE: w1250-mr nibbler jr.		
WIESER CONCRETE					
W3716 US HWY 10, MAIDEN ROCK, WI 54750 800-325-8456					
W1250-MR NIBBLER JR.	SEPTIC MANUAL				
					SHEET NO.
					1 OF 1