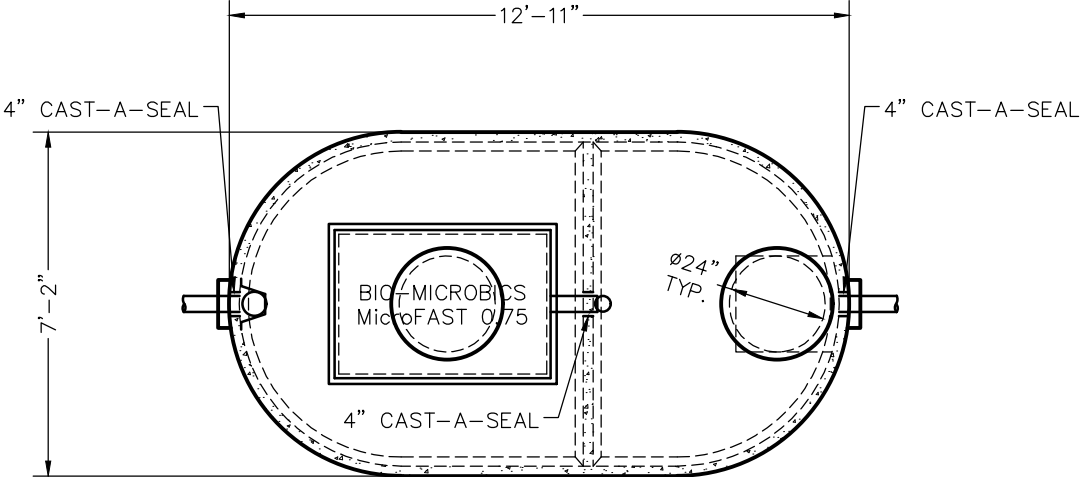
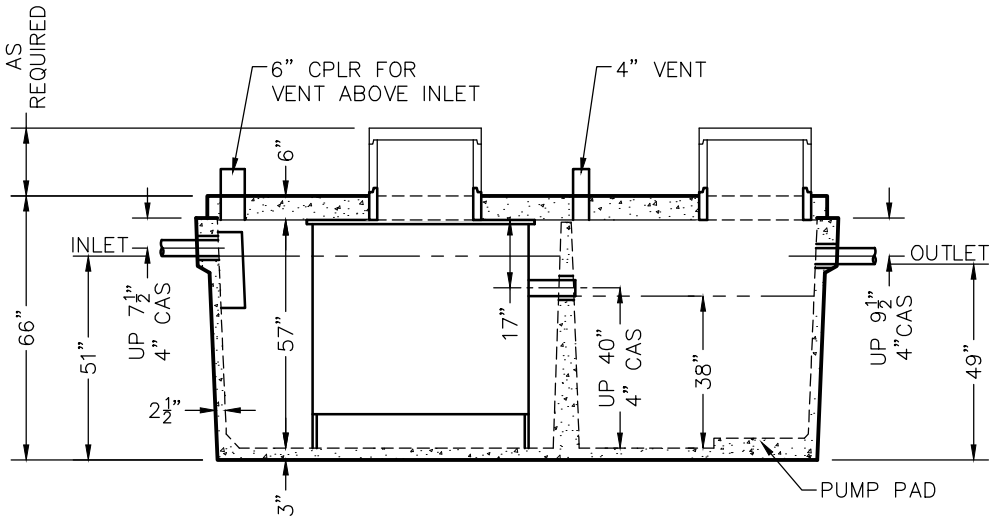


# W1250/750-MR BIO 750 GPD MICROFAST® .75 TANK SPECIFICATIONS



TOP VIEW



SIDE VIEW

**DIMENSIONS:**  
 WALL: 2 1/2"  
 BOTTOM: 3"  
 COVER: 6"  
 MANHOLE: 24" I.D. PRECAST CONCRETE RISER  
 HEIGHT: 66" O.D.  
 LENGTH: 12'-11" O.D.  
 WIDTH: 7'-2" O.D.  
 BELOW INLET: 51" O.D.  
 LIQUID LEVEL: 38"  
 WEIGHT: BOTTOM 8,650 LBS.  
 COVER 6,120 LBS.

**INLET AND OUTLET:**  
 4" CAST-A-SEAL BOOT OR EQUAL GASKET

**INLET Baffle:**  
 WISCONSIN, SEE DETAIL #10  
 (OTHER STATES SEE CHART)

**LIQUID CAPACITY:** 27.66 GAL/IN (BIO)  
 16.12 GAL/IN (PUMP)

**LOADING DESIGN:** 8'-0" UNSATURATED SOIL

**COVER:** MIX DESIGN #8 (NO FIBER)  
**TANK:** MIX DESIGN #10 (STRUCTURAL FIBER)

**CUSTOMIZED TANKS:**  
 FOR CUSTOM TANKS CONTACT WIESER CONCRETE

REVIEWED BY \_\_\_\_\_  
 REVIEW DATE \_\_\_\_\_

**DRAWINGS SUBMITTED  
FOR APPROVAL**

APPROVED BY: \_\_\_\_\_  
 APPROVAL DATE: \_\_\_\_\_  
 PRODUCTS NEEDED BY: \_\_\_\_\_

PRE-POUR:		DATE:		REV.	
SCALE: 1/4" = 1'-0"	DRAWN BY: WCP	DATE: 00/00/00	FILE: w1250-750-mr bio microfast 750		
<b>WIESER CONCRETE</b>					
W3716 US HWY 10, MAIDEN ROCK, WI 54750 800-325-8456					
W1250-750-MR BIO MICROFAST 750			SEPTIC MANUAL		
					SHEET NO. 1 OF 1

TANKS ARE MANUFACTURED TO MEET OR EXCEED ASTM C-1227 REQUIREMENTS