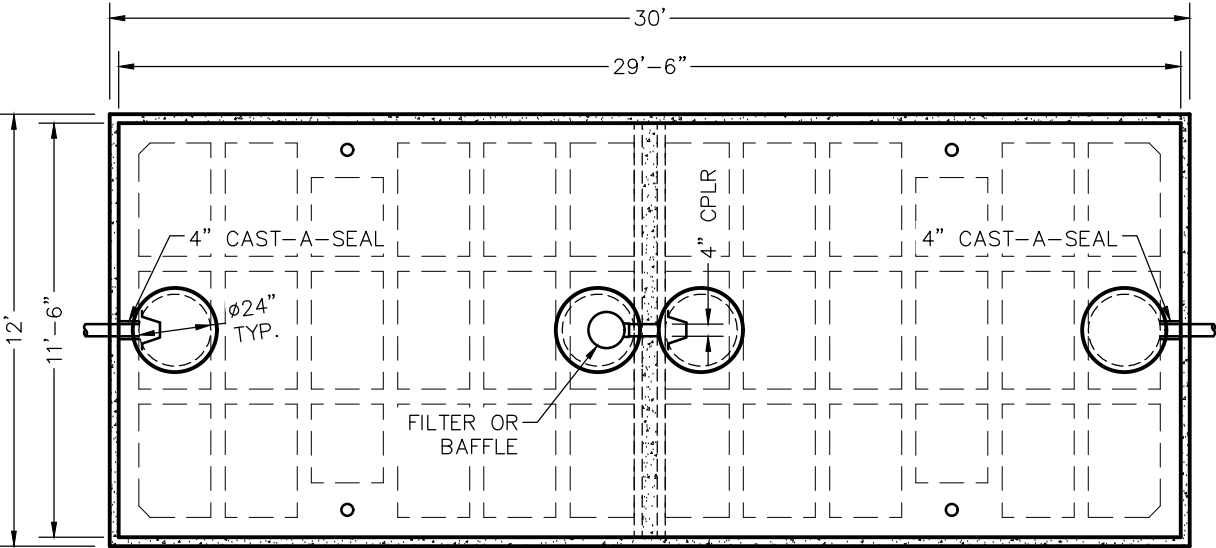
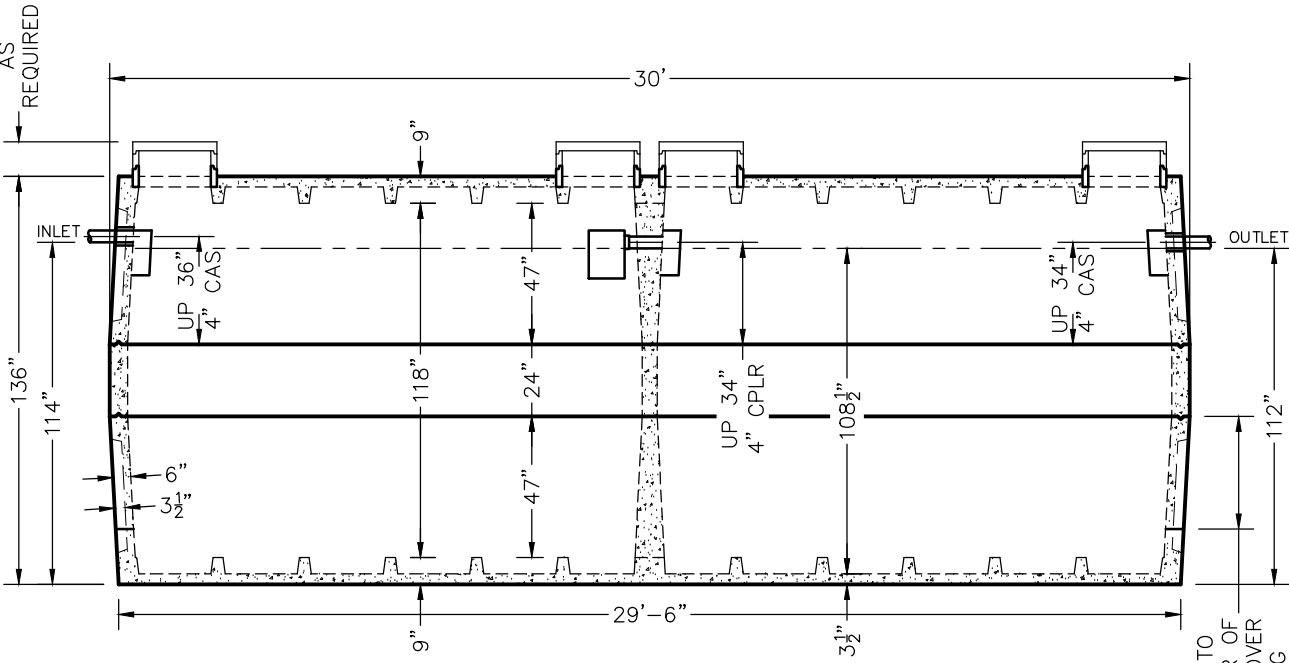


W10000/10000 TANK SPECIFICATIONS



TOP VIEW



SIDE VIEW

DIMENSIONS:
 WALL: 6" RIBBED
 BOTTOM: 9" RIBBED
 COVER: 9" RIBBED
 MANHOLE: 24" I.D. PRECAST CONCRETE RISER
 HEIGHT: 136"
 LENGTH: 30'-0"
 WIDTH: 12'-0"
 BELOW INLET: 114"
 LIQUID LEVEL: 108 1/2"
 WEIGHT: 45,000 LBS.
 PER TOP OR BOTTOM SECTION
 12,600 LBS. FOR MIDDLE SECTION

INLET AND OUTLET:
 4" CAST-A-SEAL BOOT
 OR EQUAL GASKET

INLET AND OUTLET Baffle and FILTER:
 WISCONSIN, SEE DETAIL #10
 (OTHER STATES SEE CHART)

LIQUID CAPACITY: 97.32 GAL/IN (SEPTIC)
 97.32 GAL/IN (PUMP)

LOADING DESIGN: 8'-0" UNSATURATED SOIL

TANK CAN BE USED AS:
 SEPTIC/SEPTIC, SEPTIC/PUMP,
 OR SEPTIC/SIPHON

TANK: MIX DESIGN #9 (SMALL FIBER)

CUSTOMIZED TANKS:
 FOR CUSTOM TANKS CONTACT
 WIESER CONCRETE

REVIEWED BY _____
 REVIEW DATE _____

**DRAWINGS SUBMITTED
 FOR APPROVAL**

APPROVED BY: _____
 APPROVAL DATE: _____
 PRODUCTS NEEDED BY: _____

TANKS ARE MANUFACTURED TO MEET OR EXCEED ASTM C-1227 REQUIREMENTS

PRE-POUR:		DATE:	
SCALE: 3/16" = 1'-0"	REV.:	DRAWN BY: WCP	DATE: 00/00/00
POST-POUR:	REV.:	DATE: 00/00/00	FILE: w10000-10000
WIESER CONCRETE			
W3716 US HWY 10, MAIDEN ROCK, WI 54750			
800-325-8456			
W10000-10000	SEPTIC MANUAL		
			SHEET NO.
			1 OF 1