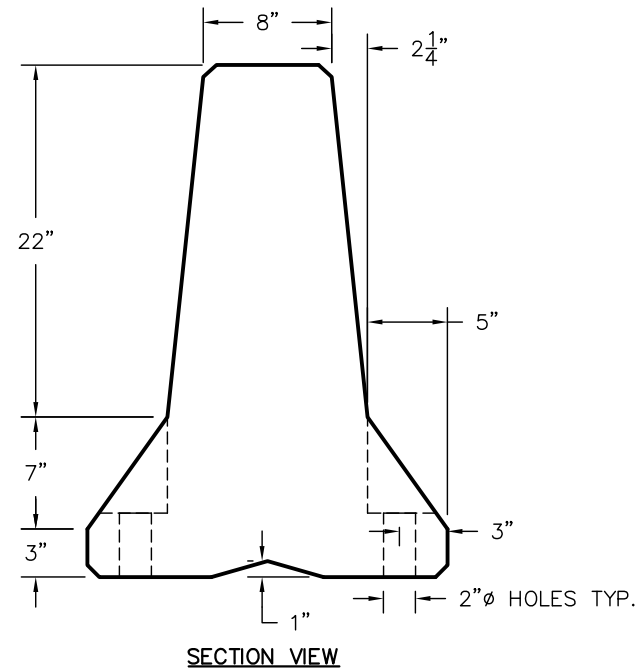
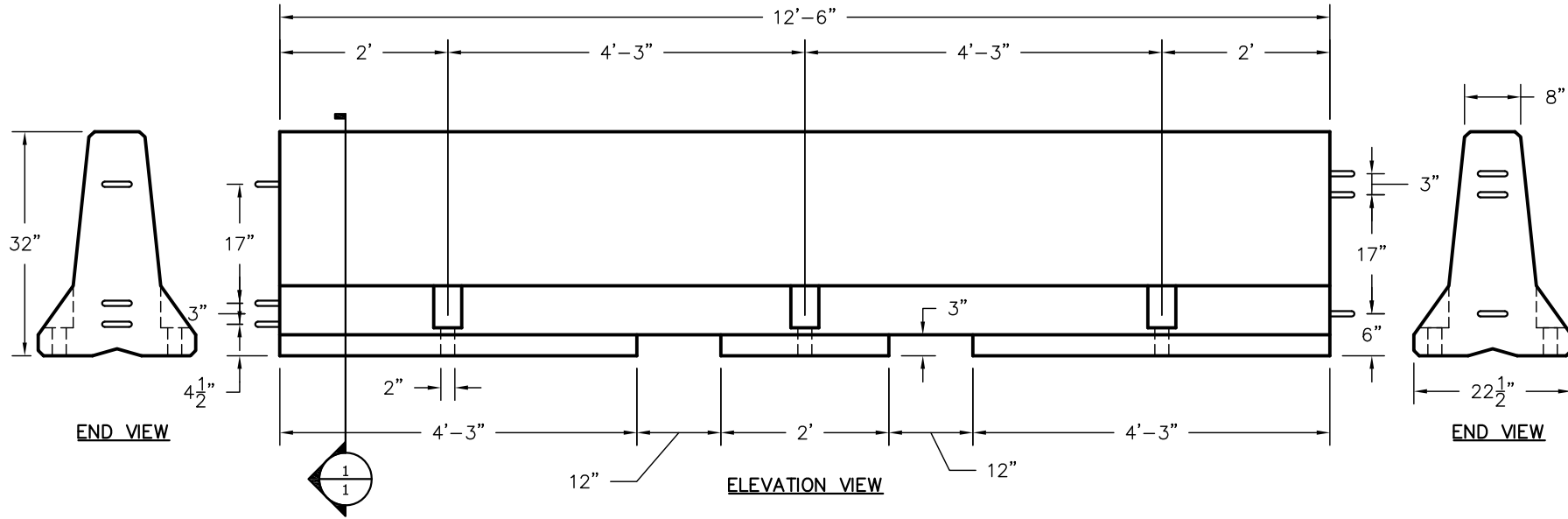


# MEDIAN BARRIER MNDOT 8337B 12'-6" LONG



**NOTES:**

WEIGHT - APPROX. 5,300 LBS. TOTAL

SCALE: 1/2" = 1'	DRAWN BY: SWT	DATE: 5/20/08	DATE:
<b>WIESER CONCRETE</b>			REV NO.
W3716 US HWY10. MAIDEN ROCK, WI 54750			FILE: Barrier\MNDOT 8337B 12-6
800-325-8456			SHEET NO.
MEDIAN BARRIER MNDOT 8337B			1 OF 1