



HOOT SYSTEMS, LLC.
www.hootsystems.com

**1000 GPD DRIP SYSTEM
H-1000 A
TANK SPECIFICATIONS**

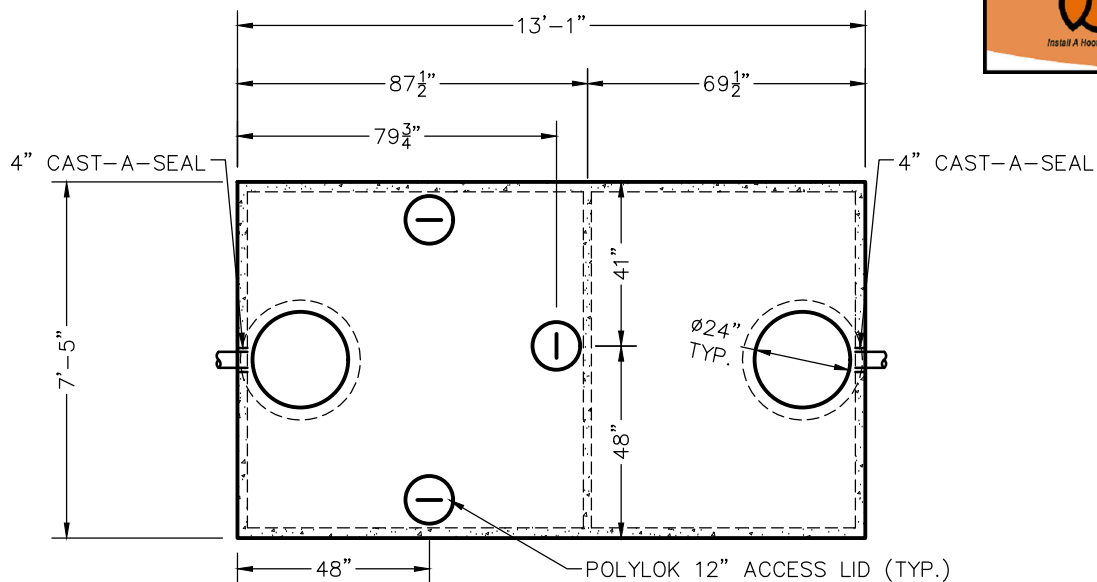
DIMENSIONS:
WALL: 2 1/2"
BOTTOM: 2 1/4"
COVER: 5"
MANHOLE: 24" I.D. PRECAST CONCRETE RISER
HEIGHT: 80 1/4" O.D.
LENGTH: 13'-1" O.D.
WIDTH: 7'-5" O.D.
BELOW INLET: 70" O.D.
WEIGHT: BOTTOM 11,498 LBS.
COVER 6,066 LBS.

INLET AND OUTLET:
4" CAST-A-SEAL BOOT OR EQUAL GASKET

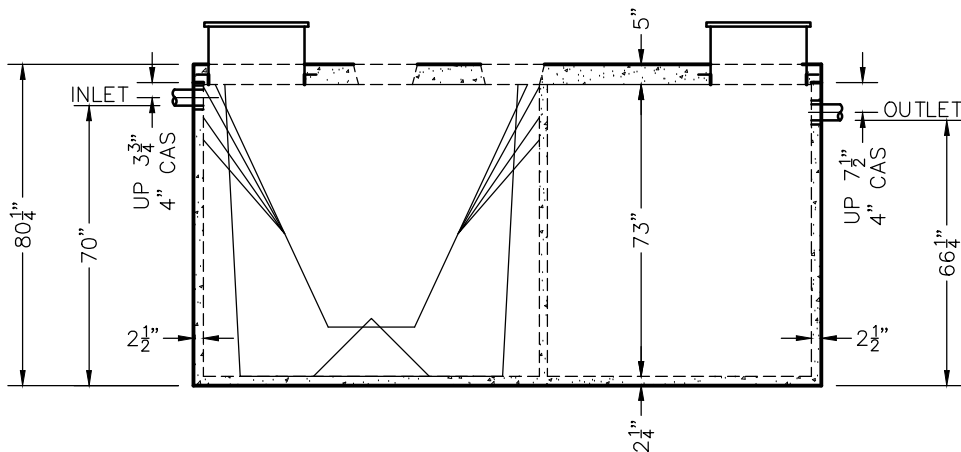
COVER: MIX DESIGN #8 (NO FIBER)
TANK: MIX DESIGN #9 (SMALL FIBER)

CUSTOMIZED TANKS:

INCLUDE 12"X16"X3 1/2"
PUMP PAD FOR BLOWER
UNIT FOR EACH TANK



TOP VIEW



SIDE VIEW

TANKS ARE MANUFACTURED TO MEET OR EXCEED ASTM C-1227 REQUIREMENTS

REVIEWED BY _____
REVIEW DATE _____

**DRAWINGS SUBMITTED
FOR APPROVAL**

APPROVED BY: _____
APPROVAL DATE: _____
PRODUCTS NEEDED BY: _____

PRE-POUR:		DATE:		REV.	
SCALE: 1/4" = 1'-0"	DRAWN BY: WCP	DATE: 00/00/00	FILE: h-1000a	WIESER CONCRETE W3716 US HWY 10, MAIDEN ROCK, WI 54750 800-325-8456	
				SHEET NO.	1 OF 1