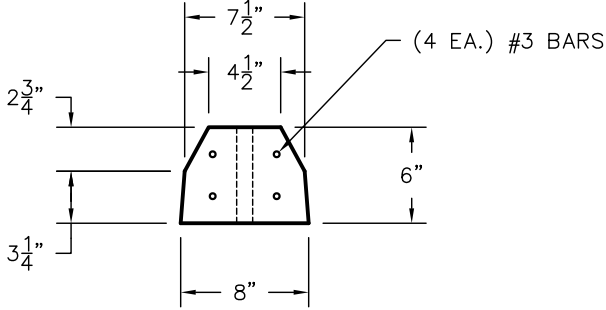
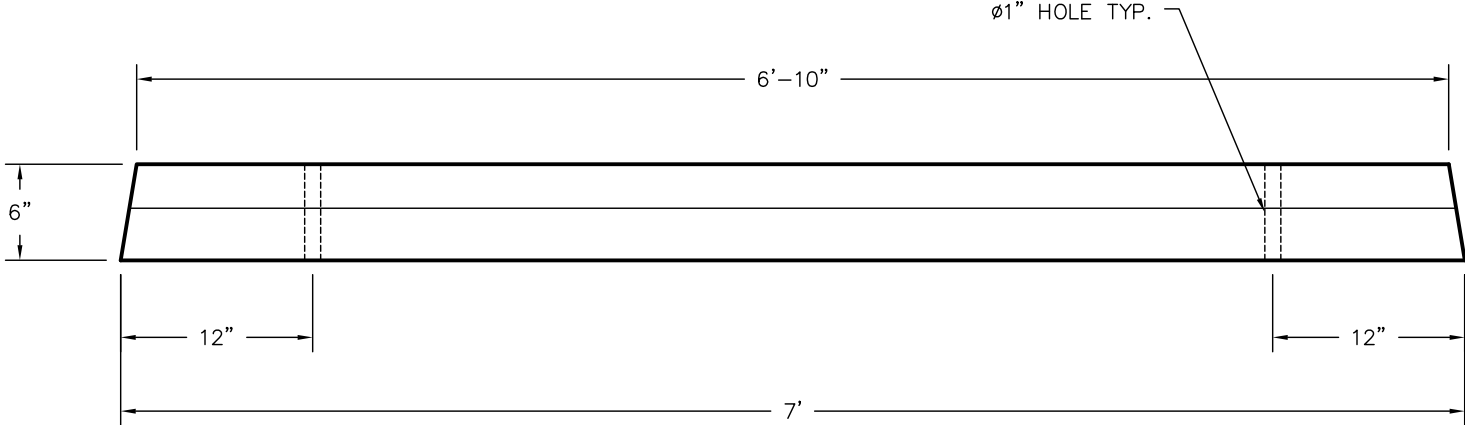


STANDARD – 7' CAR STOP

WEIGHT – APPROX. 320 LBS.



END VIEW



SIDE VIEW

SCALE: 1" = 1'-0"	REV NO.	DATE:
DRAWN BY: AMIN		
DATE: 7/15/2020		
FILE: i:\auto cad\car stop\car stops 2020		

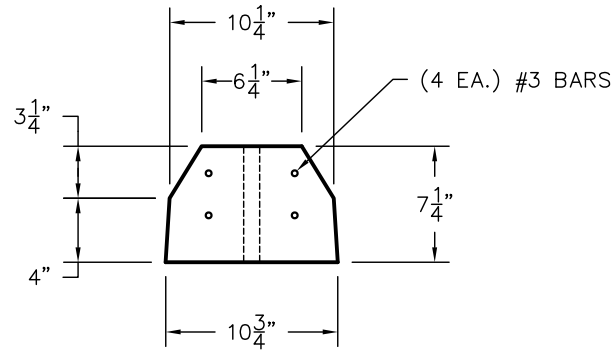
WIESER CONCRETE
 W3716 US HWY10. MAIDEN ROCK, WI 54750
 800-325-8456

STANDARD
 7' CAR STOP

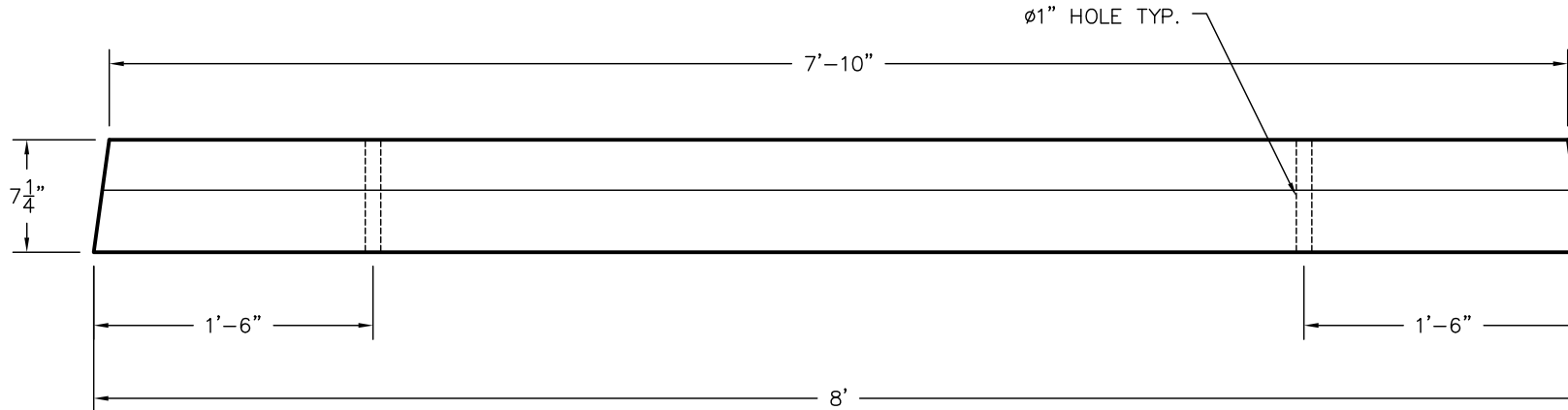
SHEET NO.
 1
 OF
 1

HEAVY DUTY – 8' CAR STOP

WEIGHT – APPROX. 590 LBS.



END VIEW



SIDE VIEW

SCALE: 1" = 1'-0"	REV NO.	DATE:
DRAWN BY: AMIN		
DATE: 7/15/2020		
FILE: i:\auto cad\car stop\car stops 2020		

WIESER CONCRETE
 W3716 US HWY10. MAIDEN ROCK, WI 54750
 800-325-8456

HEAVY DUTY
 8' CAR STOP

SHEET NO.
 1 OF 1