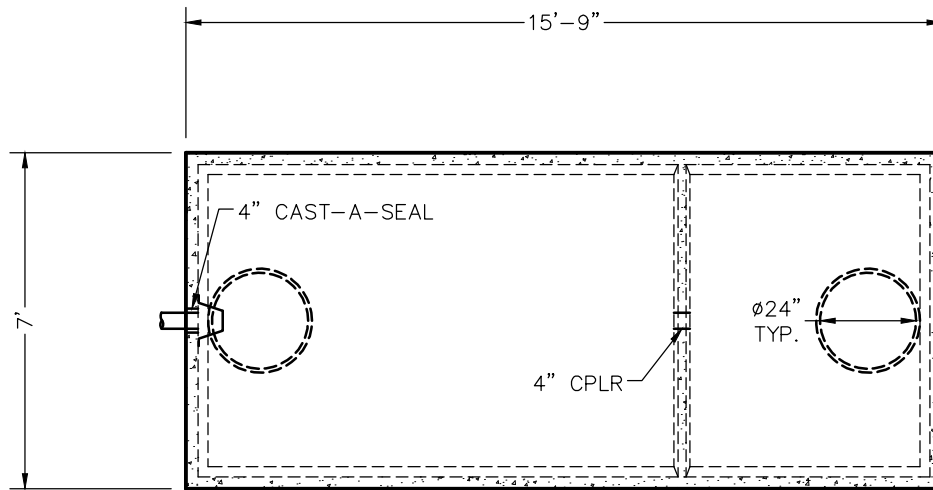
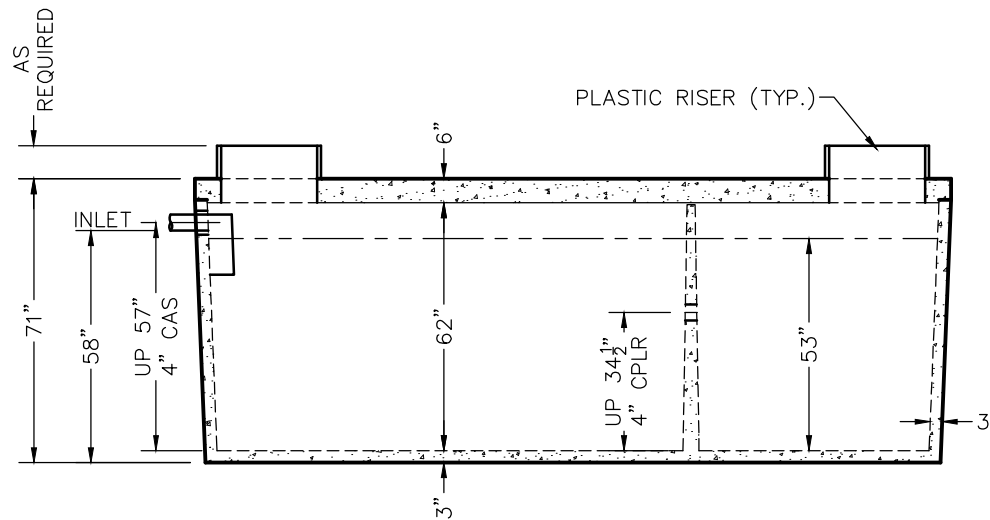


# ADVANTEK AX 20 900 GPD W2000/1000-FDL TANK SPECIFICATIONS



TOP VIEW



SIDE VIEW

**DIMENSIONS:**

- WALL: 3"
- BOTTOM: 3"
- COVER: 6"
- MANHOLE: 24" I.D. PLASTIC RISER
- HEIGHT: 71" O.D.
- LENGTH: 15'-9" O.D.
- WIDTH: 7'-0" O.D.
- BELOW INLET: 58" O.D.
- LIQUID LEVEL: 53"
- WEIGHT: BOTTOM 14,735 LBS.
- COVER 8,265 LBS.

**INLET AND OUTLET:**

4" CAST-A-SEAL BOOT OR EQUAL GASKET

**INLET Baffle AND FILTER:**

WISCONSIN, SEE DETAIL #10  
(OTHER STATES SEE CHART)

LIQUID CAPACITY: 37.92 GAL/IN (SEPTIC)  
18.98 GAL/IN (PUMP)

LOADING DESIGN: 8'-0" UNSATURATED SOIL

OPTIONAL CONCRETE RISERS AND LIDS

TANK CAN BE USED AS:

ADVANTEK AX 20 900 GPD

COVER: MIX DESIGN #8 (NO FIBER)

TANK: MIX DESIGN #9 (SMALL FIBER)

CUSTOMIZED TANKS:

FOR CUSTOM TANKS CONTACT WIESER CONCRETE

REVIEWED BY \_\_\_\_\_  
REVIEW DATE \_\_\_\_\_

**DRAWINGS SUBMITTED  
FOR APPROVAL**

APPROVED BY: \_\_\_\_\_  
APPROVAL DATE: \_\_\_\_\_  
PRODUCTS NEEDED BY: \_\_\_\_\_

TANKS ARE MANUFACTURED TO MEET OR EXCEED ASTM C-1227 REQUIREMENTS

PRE-POUR:		DATE:		REV.	
SCALE: 1/4" = 1'-0"	DRAWN BY: WCP	DATE: 00/00/00	FILE: advantex w2000-1000 fdl		
<b>WIESER CONCRETE</b>					
W3716 US HWY 10, MAIDEN ROCK, WI 54750 800-325-8456					
ADVANTEK W2000-1000 FDL SEPTIC MANUAL					
SHEET NO. 1 OF 1					