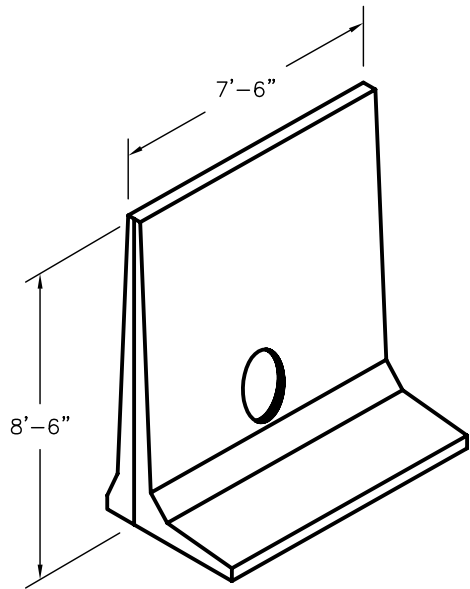
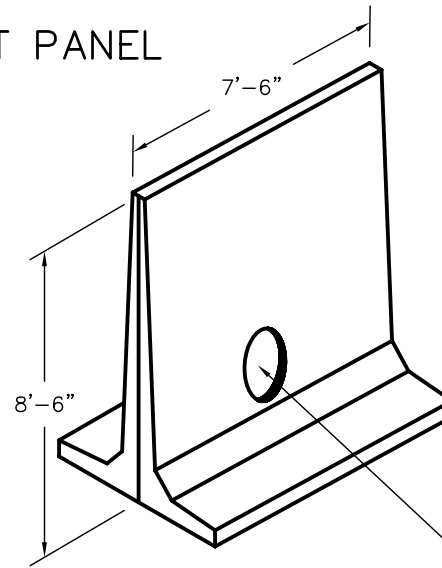


# 8'-6" L & T PANEL

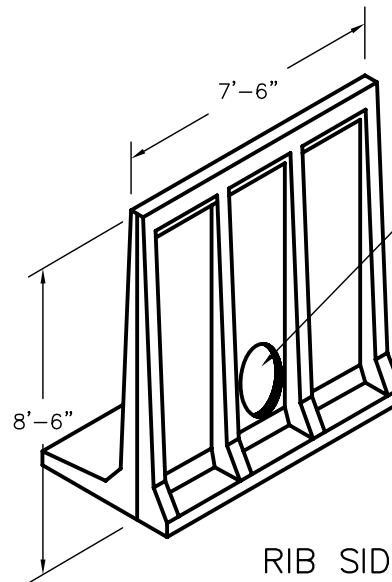
SMOOTH SIDE OF L PANEL



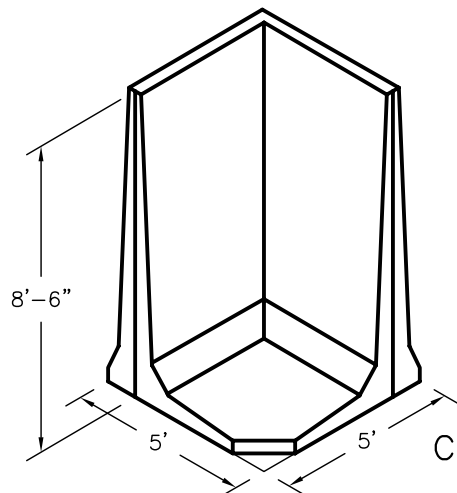
T PANEL



OPTIONAL  
AERATION HOLES



RIB SIDE OF L PANEL



CORNER PANEL

SCALE: 3/16" = 1'	REV NO.	DATE:
DRAWN BY: SWT		
DATE:		
FILE:		
<b>WIESER CONCRETE</b>		
W3716 US HWY10. MAIDEN ROCK, WI 54750		
800-325-8456		
8'-6" L & T GRAIN PANEL		
SHEET NO.		
0	OF	
	0	