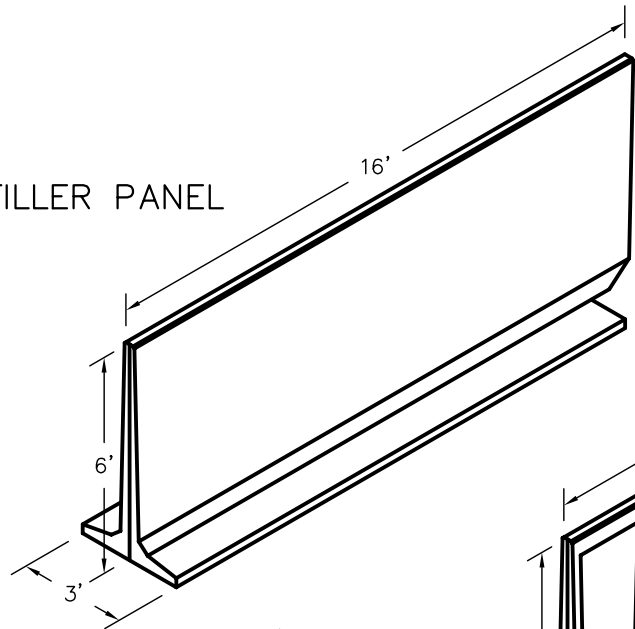
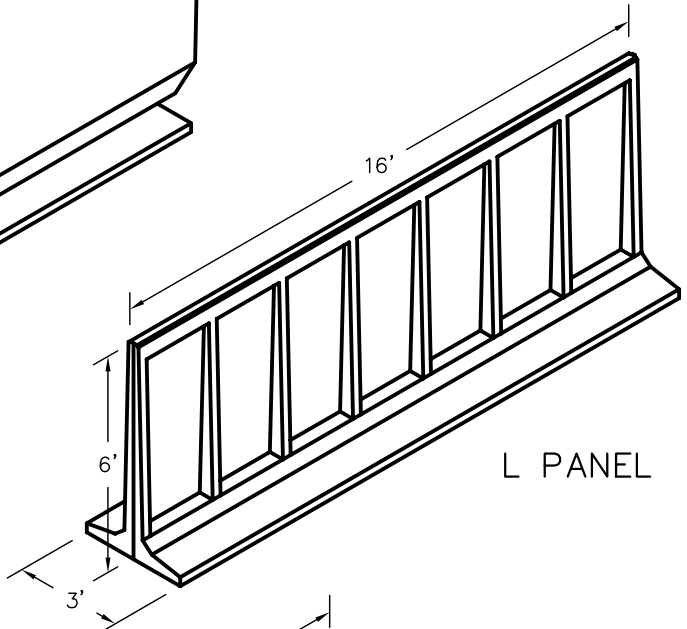


6' L & T PANEL

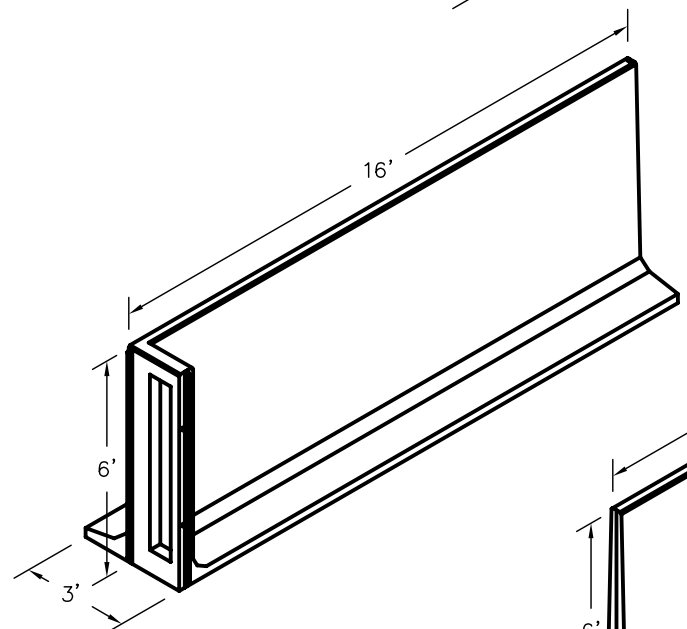
FILLER PANEL



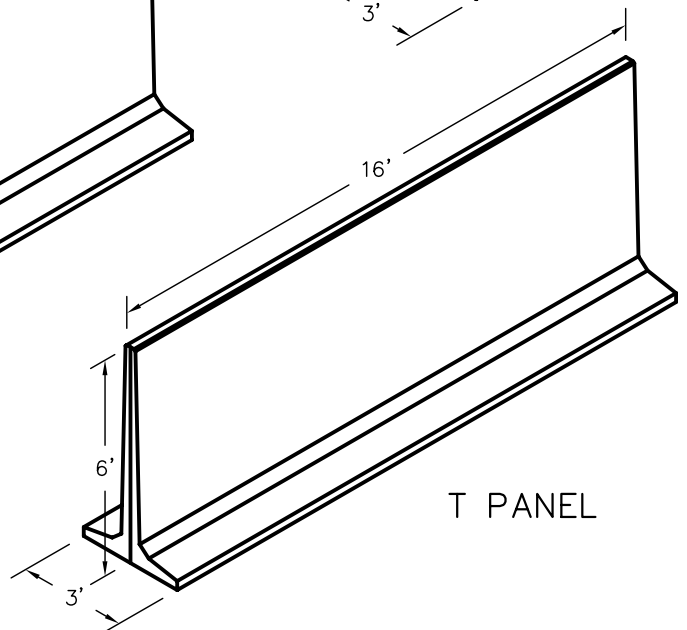
L PANEL



LEFT & RIGHT CORNER PANEL



T PANEL



SCALE: 3/16" = 1'		REV NO.	DATE:
DRAWN BY:			
DATE:			
FILE:			
WIESER CONCRETE W3716 US HWY10. MAIDEN ROCK, WI 54750 800-325-8456			
6 FT L & T PANEL			
SHEET NO.			
0 OF 0			