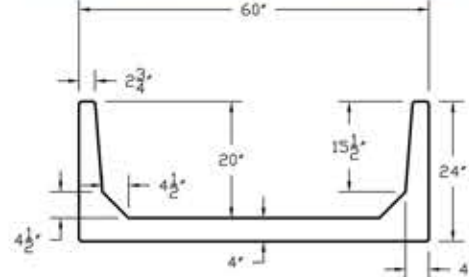
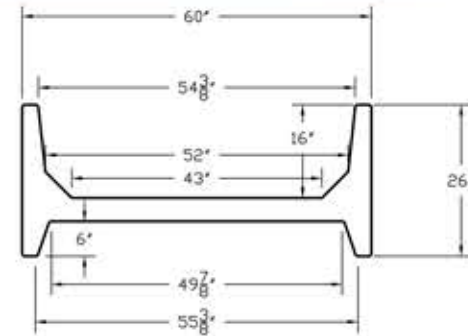
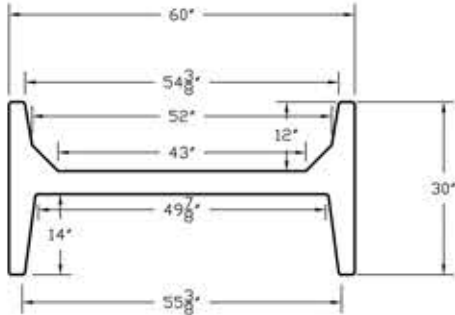


H Bunks

FEEDING DEPTH	FEEDING HEIGHT	FENCELINE HEIGHT	WIDTH	WEIGHT	LENGTH
20"	24 1/2"	24 1/2"	60"	3500# 1750#	8' 4'
16"	26"	26"	60"	3500# 1750#	8' 4'
12"	30"	30"	60"	3500# 1750#	8' 4'



FEED BUNKS



Fencing Items

- Posts: straight, curved or short (Can get with ferrules and rod)
- Slotted Bracket
- 3" Channel Post
- Posts for 2-rail system
- Feed Rail (two rails per bunk)
- Monolithic Ends



WIESER CONCRETE
PRECAST CONCRETE SPECIALISTS

Wieser Concrete
2815 Riley Road
Portage, WI 53901
Ph: (800) 362-7220

Wieser Concrete
N5561 Miranda Way
Fond du Lac, WI 54937
Ph: (800) 641-5937

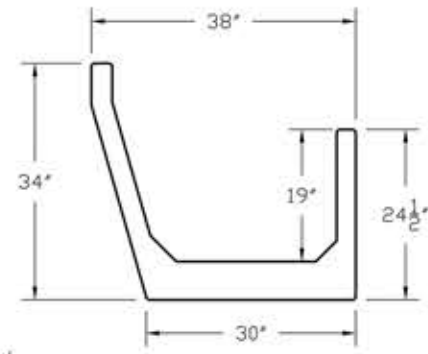
Wieser Concrete
4419 Wagon Wheel Road
Roxana, IL 62084
Ph: (618) 251-9210

Wieser Concrete
W3716 US Hwy 10
Maiden Rock, WI 54750
Ph: (800) 325-8456



Super Bunk

Fenceline Feed Bunk



FEEDING DEPTH	FEEDING HEIGHT	FENCELINE HEIGHT	WIDTH	WEIGHT	LENGTH
19"	24.5"	34"	38" TOP	3700#	12'
19"	24.5"	34"	38" TOP	2500#	8'
19"	24.5"	34"	38" TOP		6' OR 4'

Yard Bunk

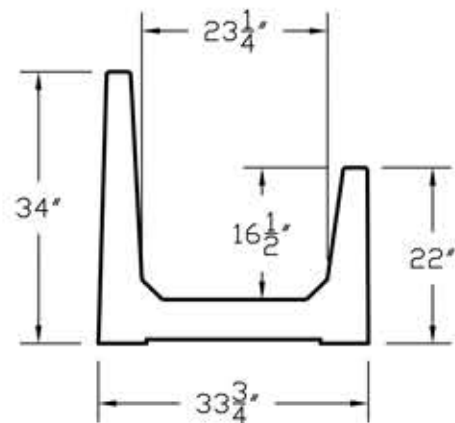
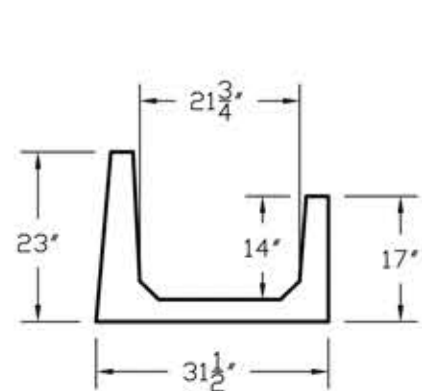
Fenceline Feed Bunk

FEEDING DEPTH	FEEDING HEIGHT	FENCELINE HEIGHT	WIDTH	WEIGHT	LENGTH
14" (STANDARD)	17"	23"	29.5" TOP	3125#	12' 6"
16.5" (HIGH CAP.)	22"	34"	34" TOP	9420#	24'
16.5" (HIGH CAP.)	22"	34"	34" TOP	4620#	12'
16.5" (HIGH CAP.)	22"	34"	34" TOP	3080#	8'

STANDARD YARD BUNK



HIGH CAPACITY YARD BUNK

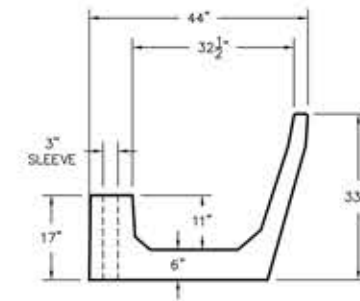


Heavy Duty Super Bunk & Heavy Duty Super Bunk - Low Profile

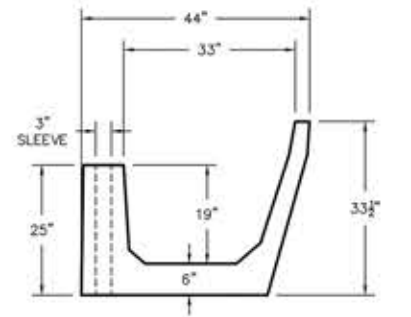
FEEDING DEPTH	FEEDING HEIGHT	FENCELINE HEIGHT	WIDTH	WEIGHT	LENGTH
11"	17"	34"	44"	6200#	12'
19"	25"	34"	44"	6200#	12'



LOW PROFILE - HEAVY DUTY SUPER BUNK



HEAVY DUTY SUPER BUNK



Hi-Back

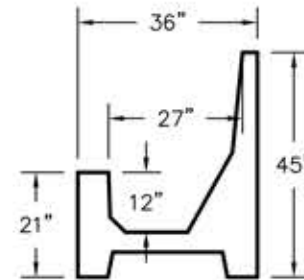
Fenceline Feed Bunk

FEEDING DEPTH	FEEDING HEIGHT	FENCELINE HEIGHT	WIDTH	WEIGHT	LENGTH
12"	21"	45"	36"	6525#	12'
14"	23"	45"	40"	6875#	12'
16"	25"	45"	44"	7225#	12'

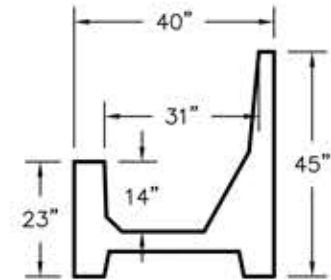
* HI-BACK CAN SUPPORT COLUMN POSTS



36" END VIEW



40" END VIEW



44" END VIEW

