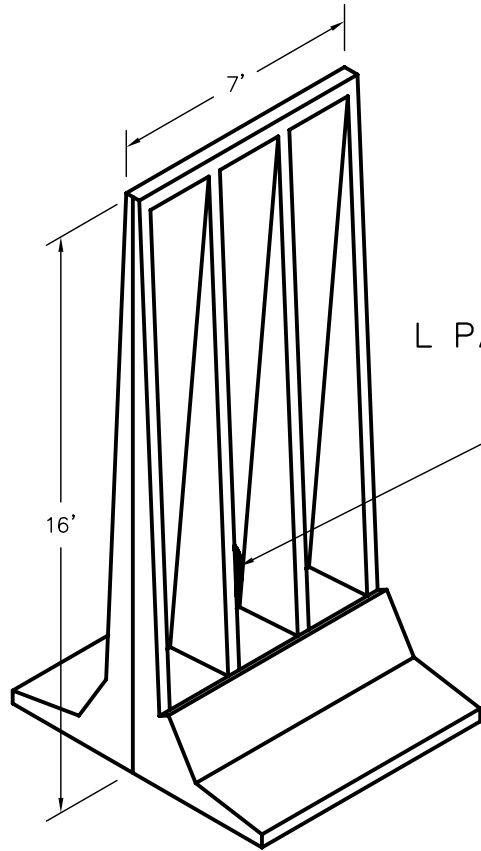
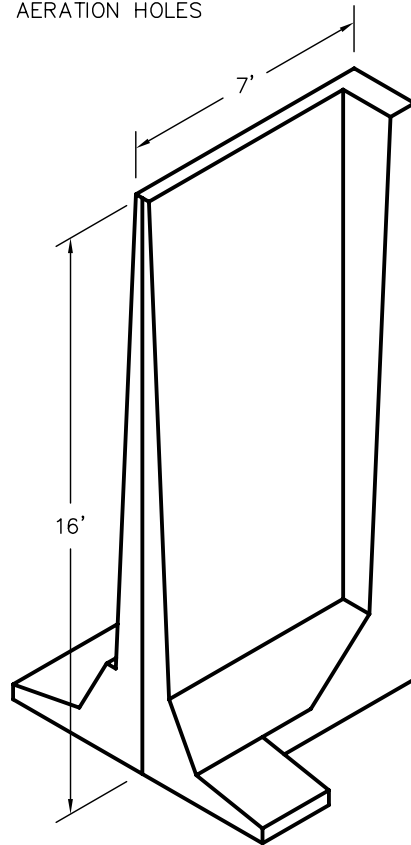


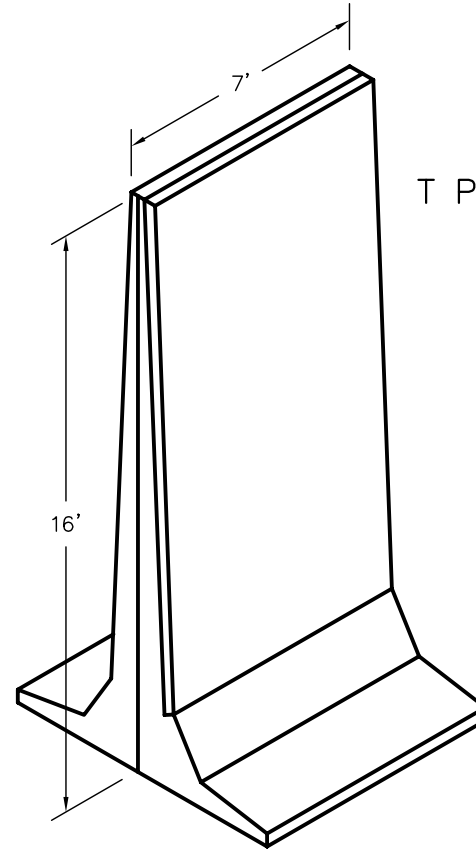
16' L & T PANEL



L PANEL



CORNER PANEL



T PANEL

OPTIONAL
AERATION HOLES

SCALE: 3/16" = 1'	REV NO.	DATE:
DRAWN BY: SWT		
DATE:		
FILE:		
WIESER CONCRETE W3716 US HWY10. MAIDEN ROCK, WI 54750 800-325-8456		
16 FT L & T GRAIN PANEL		
SHEET NO.		
0 / OF 0		