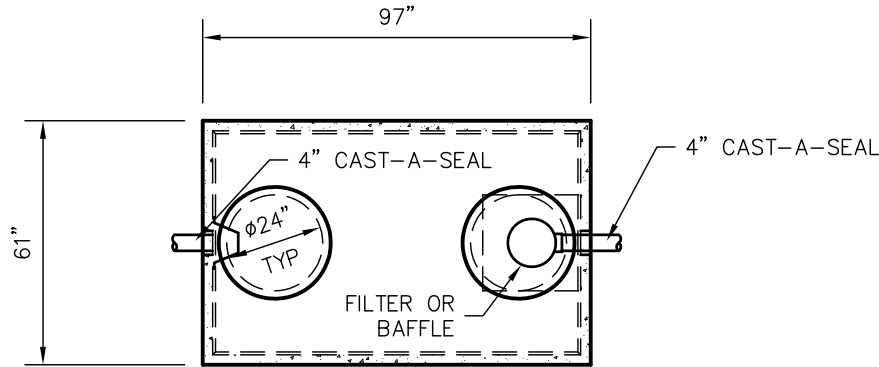
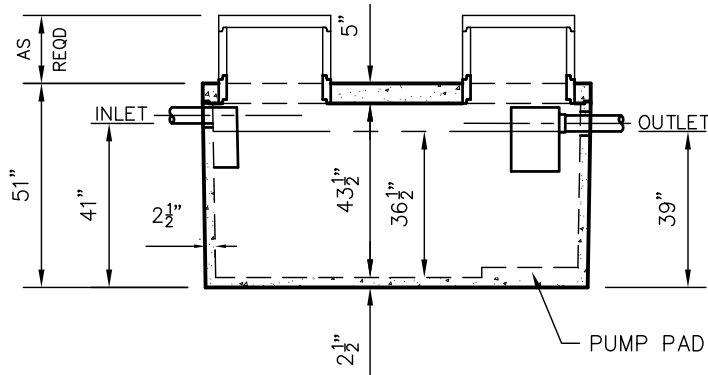


WLP785-FDL TANK SPECIFICATIONS



TOP VIEW



SIDE VIEW

DIMENSIONS:

WALL: 2-1/2"
 BOTTOM: 2-1/2"
 COVER: 5"
 MANHOLE: 24" I.D. PRECAST CONCRETE RISER
 HEIGHT: 51" O.D.
 LENGTH: 97" O.D.
 WIDTH: 61" O.D.
 BELOW INLET: 41" O.D.
 LIQUID LEVEL: 36-1/2"
 WEIGHT: 7,000 LBS.

INLET AND OUTLET:

4" CAST-A-SEAL BOOT OR EQUAL

INLET AND OUTLET BAFFLE AND FILTER:

SEE DETAIL #10

LIQUID CAPACITY: 21.50 GAL/IN

HOLDING TANK:

OUTLET HOLE PLUGGED
 ACTUAL CAPACITY: 828 GALLONS

LOADING DESIGN: 8' 0" UNSATURATED SOIL

TANK CAN BE USED AS:

SEPTIC/ HOLDING/ PUMP OR SIPHON

COVER: MIX DESIGN #8 (NO FIBER)

TANK: MIX DESIGN #9 (SMALL FIBER)

CUSTOMIZED TANKS:

FOR CUSTOM TANKS CONTACT WIESER CONCRETE

TANKS ARE MANUFACTURED TO MEET OR EXCEED ASTM C-1227 REQUIREMENTS

**DRAWINGS SUBMITTED
FOR APPROVAL**

APPROVED BY: _____
 APPROVAL DATE: _____
 PRODUCTS NEEDED BY: _____

SCALE: 1/4"=1'-0"	PRE-FOUR:
REV. _____	POST-POUR:
DATE: 00/00/00	
DRAWN BY: WCP	FILE: WLP785-FDL

WIESER CONCRETE
 W3716 US HWY 10 MAIDEN ROCK, WI 54750
 800-325-8456

WLP785-FDL
 SEPTIC MANUAL

SHEET NO.
 1 OF 1