

WLP750-MR TANK SPECIFICATIONS

DIMENSIONS:

WALL: 2 1/2"
 BOTTOM: 3"
 COVER: 4"
 MANHOLE: 24" I.D. PRECAST CONCRETE RISER
 HEIGHT: FLAT COVER 54" O.D.
 OUTSIDE DIAMETER: 84" O.D.
 BELOW INLET: 42" O.D.
 LIQUID LEVEL: 37"
 WEIGHT: 6,150 LBS.

INLET AND OUTLET:

4" CAST-A-SEAL BOOT OR EQUAL
 GASKET, CAST-A-SEAL BOOT OR EQUAL

INLET AND OUTLET BAFFLE AND FILTER:

WISCONSIN, SEE DETAIL #10
 (OTHER STATES SEE CHART)

LIQUID CAPACITY: 20.28 GAL/IN

HOLDING TANK:

ACTUAL CAPACITY: 790 GALLONS
 OUTLET HOLE PLUGGED

LOADING DESIGN: 8' 0" UNSATURATED SOIL

TANK CAN BE USED AS:

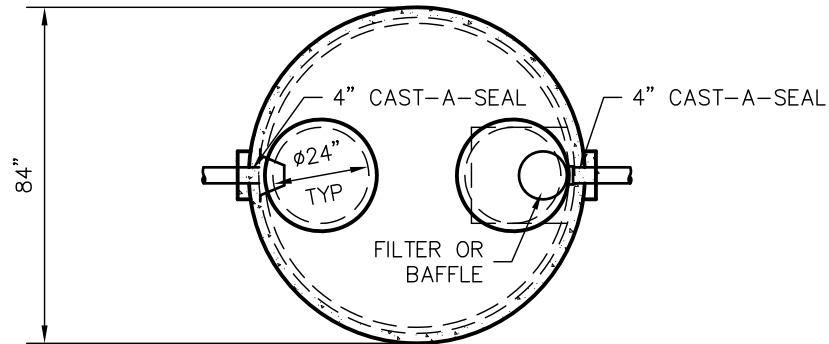
SEPTIC/ HOLDING/ PUMP OR SIPHON

COVER: MIX DESIGN #8 (NO FIBER)

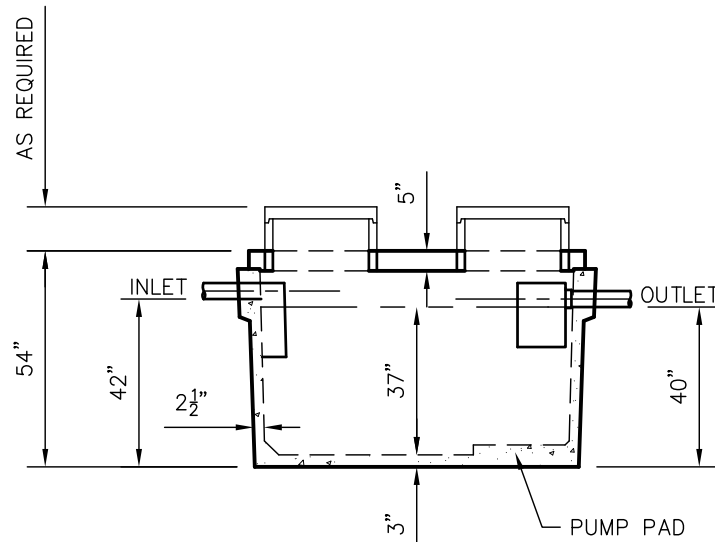
TANK: MIX DESIGN #10 (STRUCTURAL FIBER)

CUSTOMIZED TANKS:

FOR CUSTOM TANKS CONTACT WIESER CONCRETE



TOP VIEW



SIDE VIEW

TANKS ARE MANUFACTURED TO MEET OR EXCEED ASTM C-1227 REQUIREMENTS

DRAWINGS SUBMITTED FOR APPROVAL	
APPROVED BY: _____	_____
APPROVAL DATE: _____	_____
PRODUCTS NEEDED BY: _____	_____

DRAWN BY: WCP	SCALE: 1/4" = 1'-0"	PRE-POUR:	POST-POUR:
DATE: 00/00/00	REV. DATE:		
<p>WIESER CONCRETE W3716 US HWY 10 MAIDEN ROCK, WI 54750 800-325-8456</p>			
<p>WLP750-MR SEPTIC MANUAL</p>			
		SHEET NO.	
		1 OF 1	