

WLP2500-FDL TANK SPECIFICATIONS

DIMENSIONS:
 WALL: 3"
 BOTTOM: 3"
 COVER: 5"
 MANHOLE: 24" I.D. PRECAST CONCRETE RISER
 HEIGHT: 70" O.D.
 LENGTH: 166"
 WIDTH: 81" O.D.
 BELOW INLET: 58" O.D.
 LIQUID LEVEL: 53"
 WEIGHT: 18,000 LBS.

INLET AND OUTLET:
 4" CAST-A-SEAL BOOT OR EQUAL

INLET AND OUTLET Baffle AND FILTER:
 SEE DETAIL #10

LIQUID CAPACITY: 49.17 GAL/IN

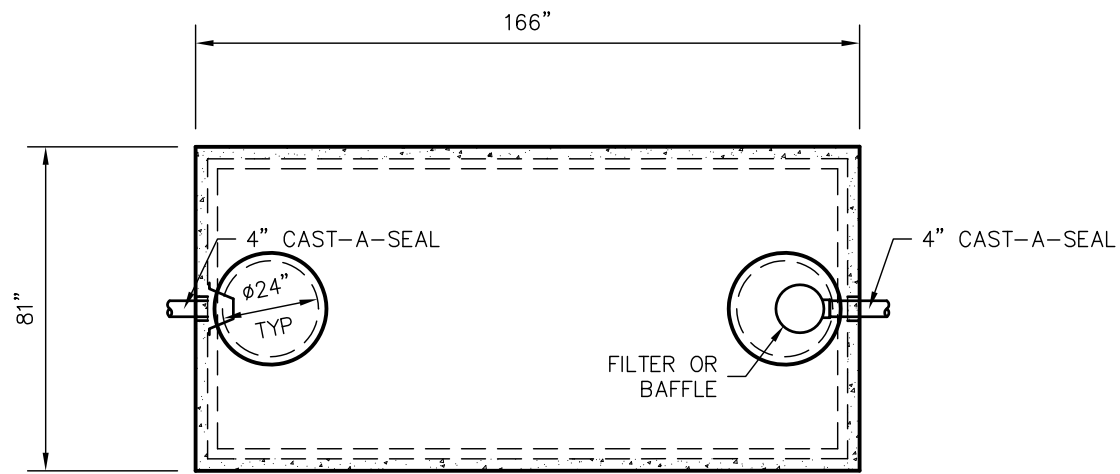
HOLDING TANK:
 OUTLET HOLE PLUGGED
 ACTUAL CAPACITY: 2704 GALLONS

LOADING DESIGN: 8' 0" UNSATURATED SOIL

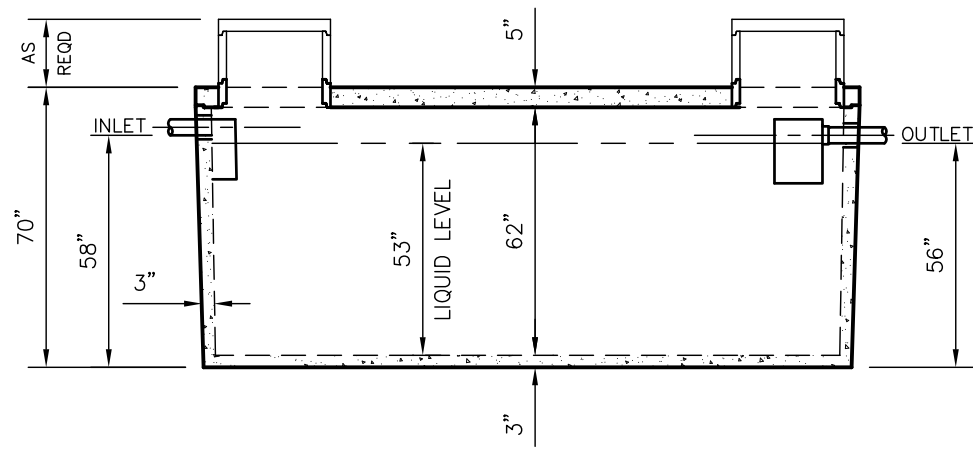
TANK CAN BE USED AS:
 SEPTIC/ HOLDING/ PUMP OR SIPHON

COVER: MIX DESIGN #8 (NO FIBER)
TANK: MIX DESIGN #9 (SMALL FIBER)

CUSTOMIZED TANKS:
 FOR CUSTOM TANKS CONTACT WIESER CONCRETE



TOP VIEW



SIDE VIEW

TANKS ARE MANUFACTURED TO MEET OR EXCEED ASTM C-1227 REQUIREMENTS

**DRAWINGS SUBMITTED
FOR APPROVAL**

APPROVED BY: _____
 APPROVAL DATE: _____
 PRODUCTS NEEDED BY: _____

| | | | |
|-----------------|-------------------|-----------|------------|
| DRAWN BY: WCP | SCALE: 1/4"=1'-0" | PRE-FOUR: | POST-POUR: |
| DATE: 00/00/00 | REV. DATE: | | |
| FILE: W2500-FDL | | | |

WIESER CONCRETE
 W3716 US HWY 10 MAIDEN ROCK, WI 54750
 800-325-8456

WLP2500-FDL
 SEPTIC MANUAL

SHEET NO.
 1 OF 1