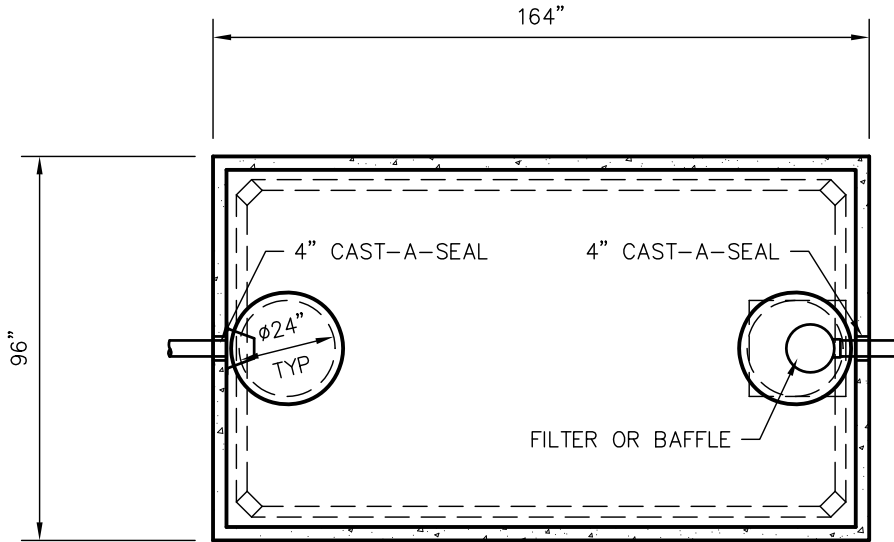
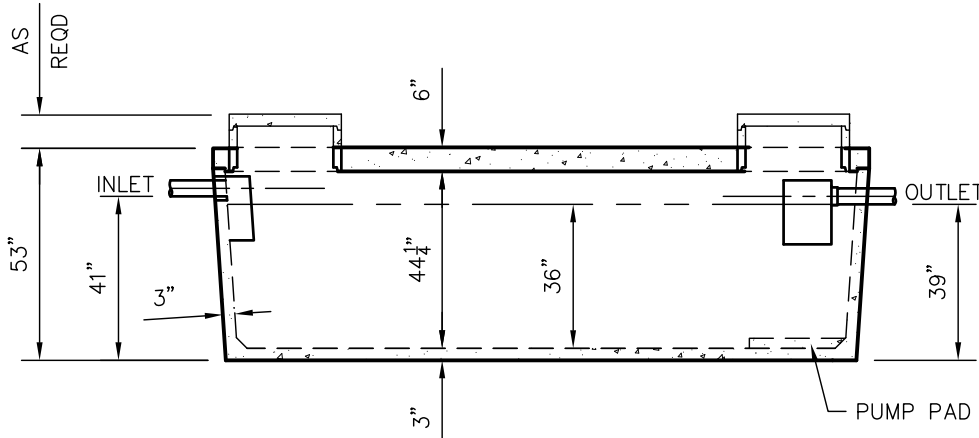


# WLP2000-MR TANK SPECIFICATIONS



TOP VIEW



SIDE VIEW

**DIMENSIONS:**

- WALL: 3"
- BOTTOM: SEPTIC 3"  
HEAVY DUTY 5" (ADD 2,800 LBS.)
- COVER: 6"
- MANHOLE: 24" I.D. PRECAST CONCRETE RISER
- HEIGHT: 53" O.D.
- LENGTH: 164" O.D.
- WIDTH: 96" O.D.
- BELOW INLET: 41" O.D.
- LIQUID LEVEL: 36"
- WEIGHT: BOTTOM 11,260 LBS.  
COVER 8,170 LBS.

**INLET AND OUTLET:**  
4" CAST-A-SEAL BOOT OR EQUAL

**INLET AND OUTLET BAFFLE AND FILTER:**  
WISCONSIN, SEE DETAIL #10  
(OTHER STATES SEE CHART)

**LIQUID CAPACITY:** 56.27 GAL/IN

**LOADING DESIGN:** 8' 0" UNSATURATED SOIL

**HOLDING TANK:**  
OUTLET HOLE PLUGGED  
ACTUAL CAPACITY: 2,138 GALLONS

**TANK CAN BE USED AS:**  
SEPTIC/ HOLDING/ PUMP OR SIPHON

**COVER:** MIX DESIGN #8 (NO FIBER)  
**TANK:** MIX DESIGN #9 (SMALL FIBER)

**CUSTOMIZED TANKS:**  
FOR CUSTOM TANKS CONTACT WIESER CONCRETE

REVIEWED BY \_\_\_\_\_  
REVIEW DATE \_\_\_\_\_

**DRAWINGS SUBMITTED  
FOR APPROVAL**

APPROVED BY: \_\_\_\_\_  
APPROVAL DATE: \_\_\_\_\_  
PRODUCTS NEEDED BY: \_\_\_\_\_

TANKS ARE MANUFACTURED TO MEET OR EXCEED ASTM C-1227 REQUIREMENTS

PRE-POUR:

SCALE: 1/4" = 1'-0"

POST-POUR:

REV. DATE:

DRAWN BY: WCP

DATE: 00/00/00

FILE: WLP2000-MR

**WIESER CONCRETE**  
W3716 US HWY 10 MAIDEN ROCK, WI 54750  
800-325-8456

WLP2000-MR  
SEPTIC MANUAL

SHEET NO.

1  
OF  
1