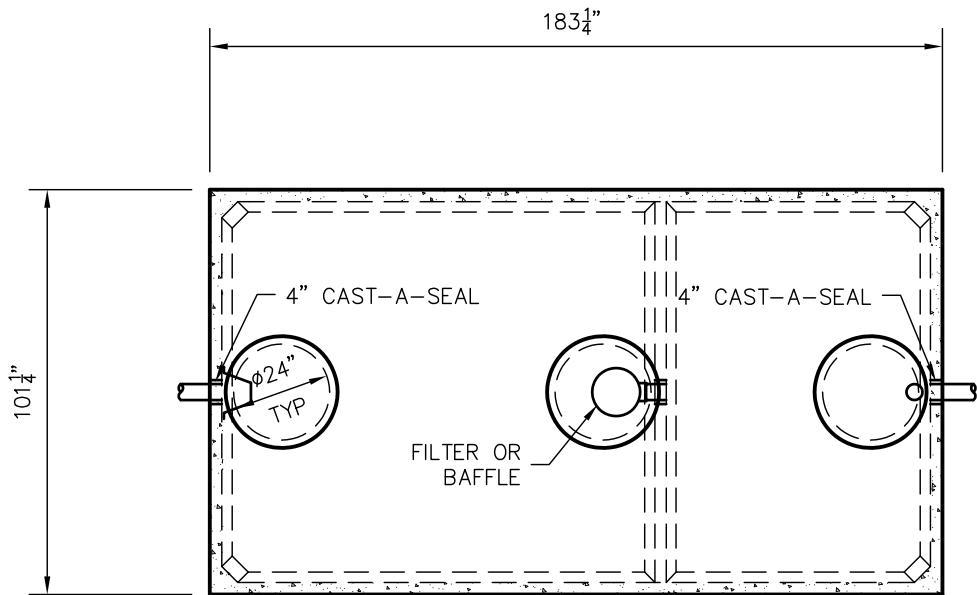
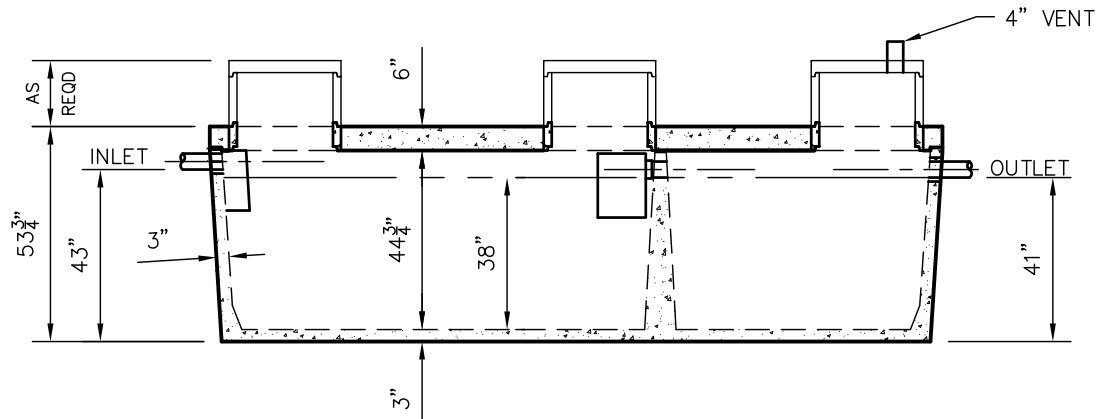


# WLP1585/950 TANK SPECIFICATIONS



TOP VIEW



SIDE VIEW

**DIMENSIONS:**

WALL: 3"  
 BOTTOM: 3"  
 COVER: 6"  
 MANHOLE: 24" I.D. PRECAST CONCRETE RISER  
 HEIGHT: 53-3/4" O.D.  
 LENGTH: 183-3/16" O.D.  
 WIDTH: 101-3/16" O.D.  
 BELOW INLET: 43" O.D.  
 LIQUID LEVEL: 38"  
 WEIGHT: TANK 13,010 LBS  
 WEIGHT: COVER 9,300 LBS

**INLET AND OUTLET:**  
 4" CAST-A-SEAL BOOT OR EQUAL

**INLET AND OUTLET BAFFLE AND FILTER:**  
 WISCONSIN, SEE DETAIL #10  
 (OTHER STATES SEE CHART)

**LIQUID CAPACITY:** 41.67 GAL/IN (SEPTIC)  
 25.00 GAL/IN (PUMP)

**LOADING DESIGN:** 8'-0" UNSATURATED SOIL

**TANK CAN BE USED AS:**

SEPTIC/SEPTIC, SEPTIC/PUMP  
 OR SEPTIC/SIPHON

**COVER:** MIX DESIGN #8 (NO FIBER)  
**TANK:** MIX DESIGN #9 (SMALL FIBER)

**CUSTOMIZED TANKS:**  
 FOR CUSTOM TANKS CONTACT WIESER CONCRETE

TANKS ARE MANUFACTURED TO MEET OR EXCEED ASTM C-1227 REQUIREMENTS

**DRAWINGS SUBMITTED  
FOR APPROVAL**

APPROVED BY: \_\_\_\_\_  
 APPROVAL DATE: \_\_\_\_\_  
 PRODUCTS NEEDED BY: \_\_\_\_\_

PRE-POUR:	POST-POUR:
SCALE: 1/4"=1'-0"	REV. DATE:
DRAWN BY: WCP	DATE: 00/00/00
FILE: WLP1585-950	

**WIESER CONCRETE**  
 W3716 US HWY 10 MAIDEN ROCK, WI 54750  
 800-325-8456

WLP1585/950  
 SEPTIC MANUAL

SHEET NO.  
 1 OF 1