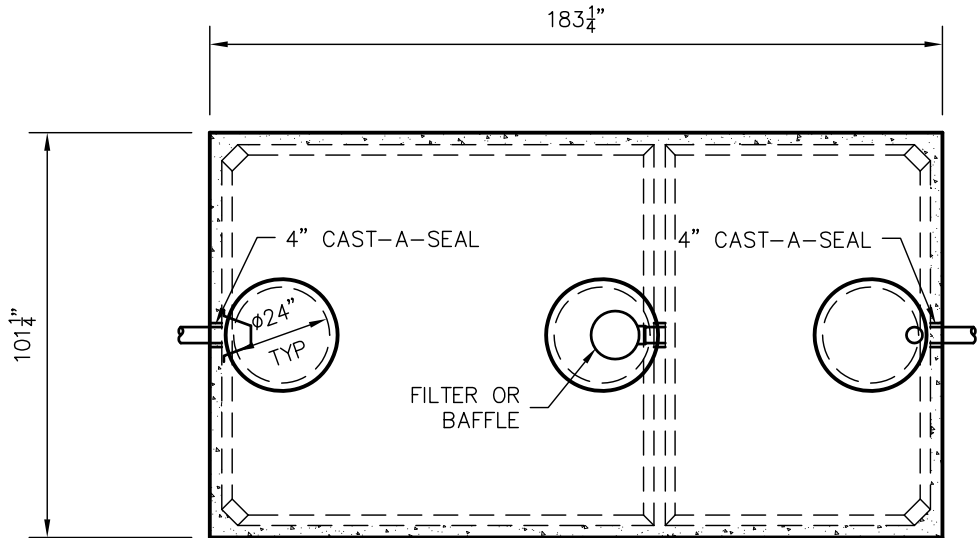
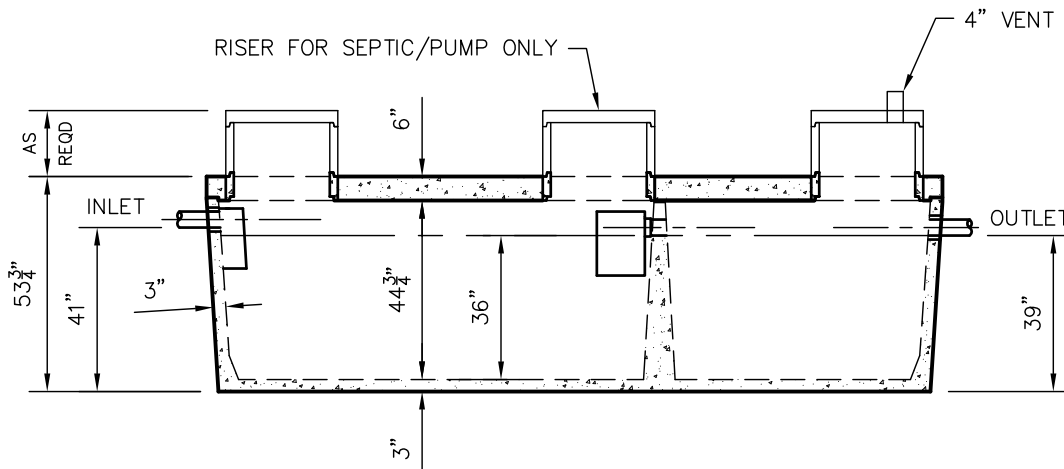


WLP1500/900 – MN TANK SPECIFICATIONS



TOP VIEW



SIDE VIEW

DIMENSIONS:

WALL: 3"
 BOTTOM: 3"
 COVER: 6"
 MANHOLE: 24" I.D. PRECAST CONCRETE RISER
 HEIGHT: 53-3/4" O.D.
 LENGTH: 183-3/16" O.D.
 WIDTH: 101-3/16" O.D.
 BELOW INLET: 41" O.D.
 LIQUID LEVEL: 36"
 WEIGHT: TANK 13,010 LBS
 WEIGHT: COVER 9,300 LBS

INLET AND OUTLET:

4" CAST-A-SEAL BOOT OR EQUAL

INLET AND OUTLET BAFFLE AND FILTER:
 AS SHOWN

LIQUID CAPACITY: 41.67 GAL/IN (SEPTIC)
 25.00 GAL/IN (PUMP)

LOADING DESIGN: 8'-0" UNSATURATED SOIL

TANK CAN BE USED AS:

SEPTIC/SEPTIC, SEPTIC/PUMP

COVER: MIX DESIGN #8 (NO FIBER)
 TANK: MIX DESIGN #9 (SMALL FIBER)

CUSTOMIZED TANKS:

FOR CUSTOM TANKS CONTACT WIESER CONCRETE

TANKS ARE MANUFACTURED TO MEET OR EXCEED ASTM C-1227 REQUIREMENTS

**DRAWINGS SUBMITTED
 FOR APPROVAL**

APPROVED BY: _____
 APPROVAL DATE: _____
 PRODUCTS NEEDED BY: _____

PRE-FOUR:	SCALE: 1/4"=1'-0"
POST-POUR:	REV. DATE:
DRAWN BY: WCP	DATE: 00/00/00
FILE: WLP1500-900 - MN	

WIESER CONCRETE
 W3716 US HWY 10 MAIDEN ROCK, WI 54750
 800-325-8456

WLP1500/900 – MN
 SEPTIC MANUAL

SHEET NO.
 1 OF 1