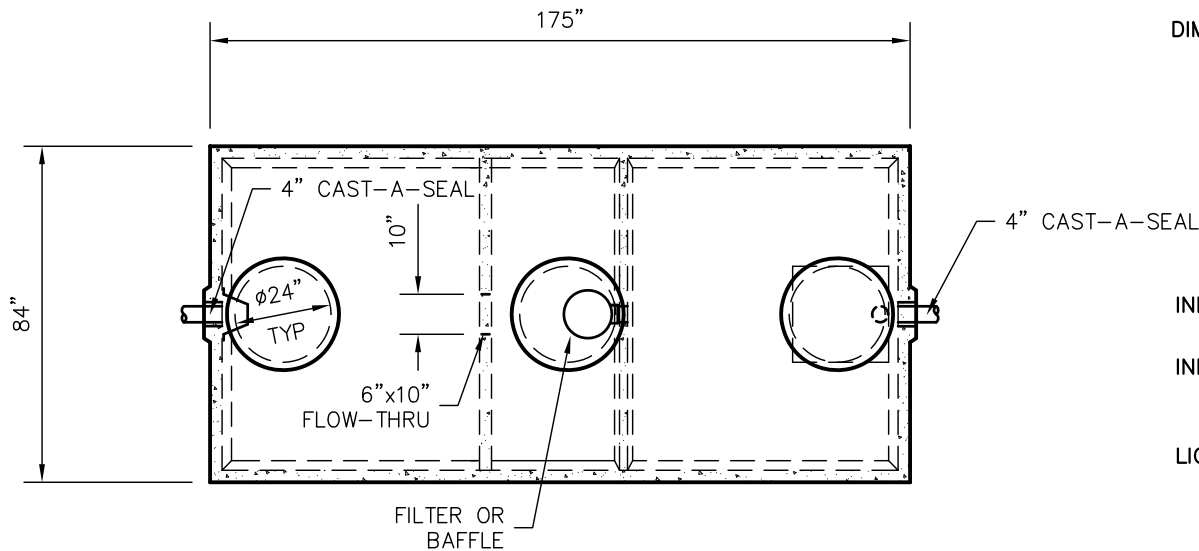
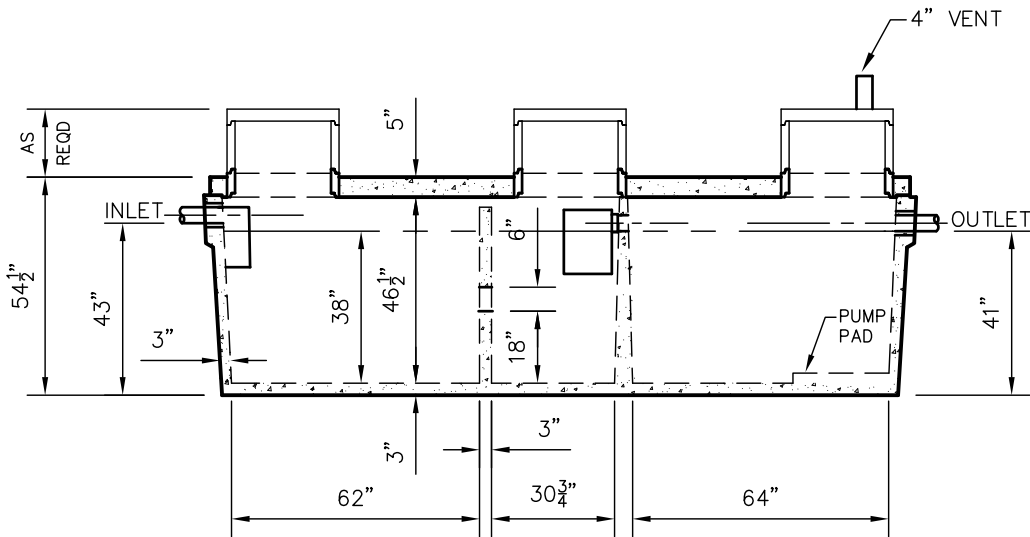


# WLP1280/800-FDL TRIPLE TANK SPECIFICATIONS



TOP VIEW



SIDE VIEW

**DIMENSIONS:**

- WALL: 3"
- BOTTOM: 3"
- COVER: 5"
- MANHOLE: 24" I.D. PRECAST CONCRETE RISER
- HEIGHT: 54-1/2" O.D.
- LENGTH: 175" O.D.
- WIDTH: 84" O.D.
- BELOW INLET: 43" O.D.
- LIQUID LEVEL: 38"
- WEIGHT: 18,000 LBS.

**INLET AND OUTLET:**

4" CAST-A-SEAL BOOT OR EQUAL

**INLET AND OUTLET Baffle AND FILTER:**

WISCONSIN, SEE DETAIL #10  
(OTHER STATES SEE CHART)

- LIQUID CAPACITY: 21.52 GAL/IN (SEPTIC)
- 10.68 GAL/IN (SEPTIC)
- 20.60 GAL/IN (PUMP)

LOADING DESIGN: 8' 0" UNSATURATED SOIL

**TANK CAN BE USED AS:**

SEPTIC/SEPTIC, SEPTIC/PUMP  
OR SEPTIC/SIPHON

COVER: MIX DESIGN #8 (NO FIBER)

TANK: MIX DESIGN #9 (SMALL FIBER)

**CUSTOMIZED TANKS:**

FOR CUSTOM TANKS CONTACT WIESER CONCRETE

TANKS ARE MANUFACTURED TO MEET OR EXCEED ASTM C-1227 REQUIREMENTS

|  |       |
|--|-------|
| <b>DRAWINGS SUBMITTED FOR APPROVAL</b> |       |
| APPROVED BY: _____                     | _____ |
| APPROVAL DATE: _____                   | _____ |
| PRODUCTS NEEDED BY: _____              | _____ |

|                        |  |              |                   |                         |
|------------------------|--|--------------|-------------------|-------------------------|
| <b>WIESER CONCRETE</b> | W3716 US HWY 10<br>MAIDEN ROCK, WI 54750 | 800-325-8456 | SCALE: 1/4"=1'-0" | PRE-POUR:<br>POST-POUR: |
| WLP1280/800-FDL TRIPLE | SEPTIC MANUAL                            | SHEET NO.    | REV. _____        | DATE: _____             |
|                        |  | 1 OF 1       |                   |                         |