

WLP1280/800-FDL TANK SPECIFICATIONS

DIMENSIONS:

WALL: 3"
 BOTTOM: 3"
 COVER: 5"
 MANHOLE: 24" I.D. PRECAST CONCRETE RISER
 HEIGHT: 54-1/2" O.D.
 LENGTH: 175" O.D.
 WIDTH: 84" O.D.
 BELOW INLET: 43" O.D.
 LIQUID LEVEL: 38"
 WEIGHT: 18,000 LBS.

INLET AND OUTLET:
 4" CAST-A-SEAL BOOT OR EQUAL

INLET AND OUTLET Baffle AND FILTER:
 WISCONSIN, SEE DETAIL #10
 (OTHER STATES SEE CHART)

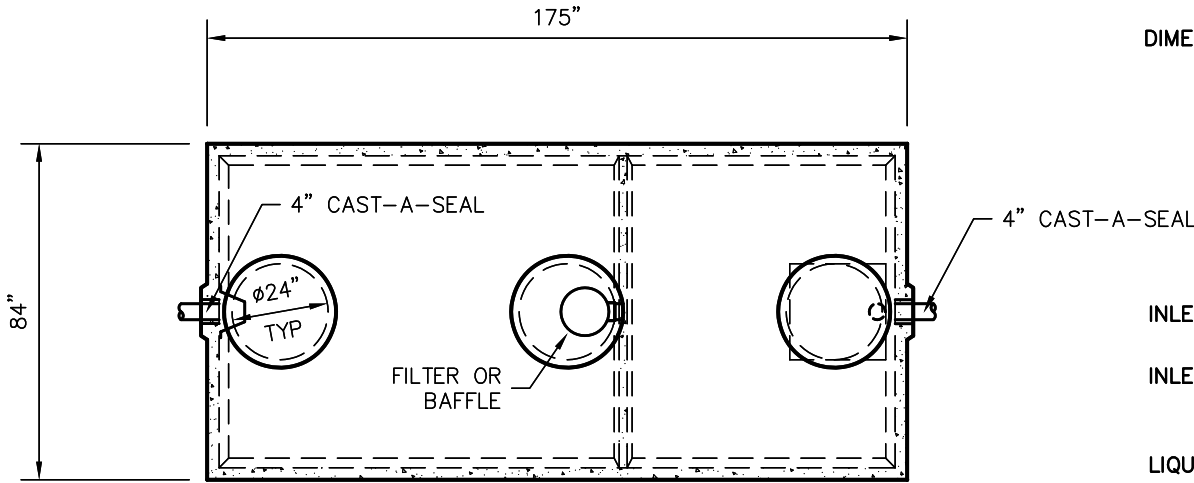
LIQUID CAPACITY: 33.44 GAL/IN (SEPTIC)
 20.60

LOADING DESIGN: 8' 0" UNSATURATED SOIL

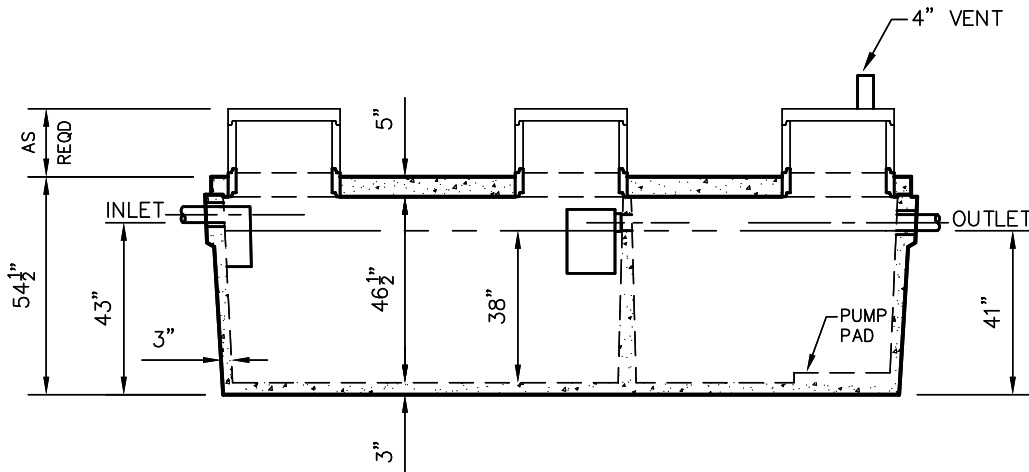
TANK CAN BE USED AS:
 SEPTIC/SEPTIC, SEPTIC/PUMP
 OR SEPTIC/SIPHON

COVER: MIX DESIGN #8 (NO FIBER)
 TANK: MIX DESIGN #9 (SMALL FIBER)

CUSTOMIZED TANKS:
 FOR CUSTOM TANKS CONTACT WIESER CONCRETE



TOP VIEW



SIDE VIEW

TANKS ARE MANUFACTURED TO MEET OR EXCEED ASTM C-1227 REQUIREMENTS

**DRAWINGS SUBMITTED
FOR APPROVAL**

APPROVED BY: _____
 APPROVAL DATE: _____
 PRODUCTS NEEDED BY: _____

PRE-FOUR:

POST-POUR:

SCALE: 1/4"=1'-0"

REV. DATE:

DRAWN BY: WCP

DATE: 00/00/00

FILE: WLP1280-800 FDL

WIESER CONCRETE
 W5716 US HWY 10 MAIDEN ROCK, WI 54750

800-325-8456

WLP1280/800-FDL
SEPTIC MANUAL

SHEET NO.

1 OF 1