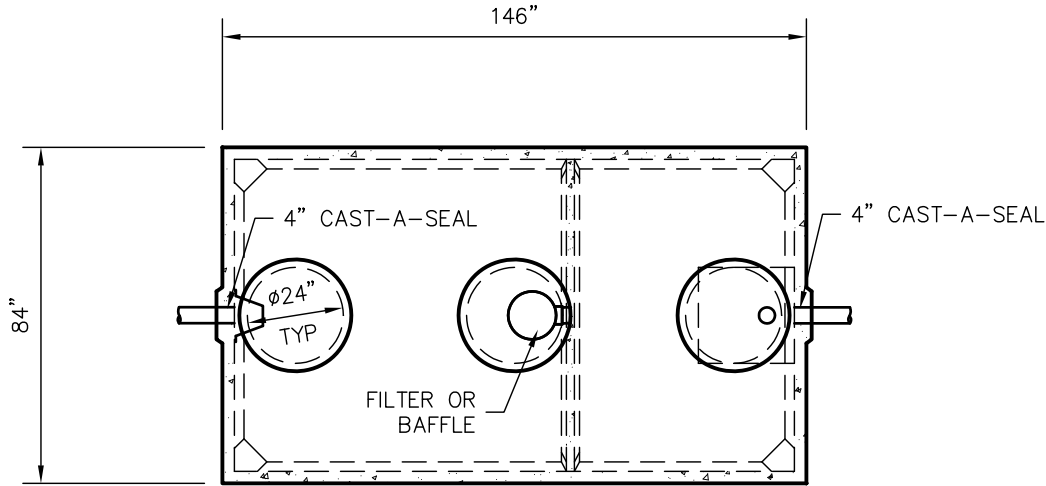


WLP1000/650-MR TANK SPECIFICATIONS



TOP VIEW

DIMENSIONS:

WALL: 3"
 BOTTOM: 3"
 COVER: 5"
 MANHOLE: 24" I.D. PRECAST CONCRETE RISER
 HEIGHT: 54 1/2" O.D.
 LENGTH: 146" O.D.
 WIDTH: 84" O.D.
 BELOW INLET: 43" O.D.
 LIQUID LEVEL: 38"
 WEIGHT: 14,940 LBS.

INLET AND OUTLET:
 4" CAST-A-SEAL BOOT OR EQUAL
 GASKET, CAST-A-SEAL BOOT OR EQUAL

INLET AND OUTLET BAFFLE AND FILTER:
 WISCONSIN, SEE DETAIL #10
 (OTHER STATES SEE CHART)

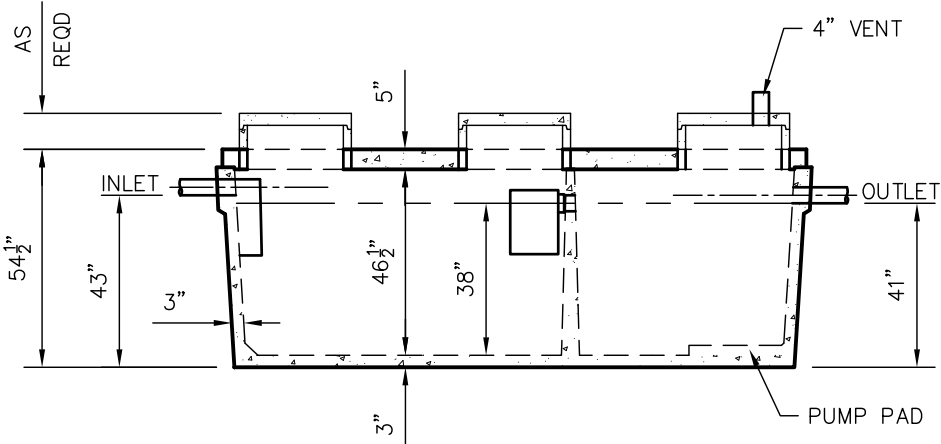
LIQUID CAPACITY: 26.32 GAL/IN (SEPTIC)
 17.00 GAL/IN (PUMP)

LOADING DESIGN: 8' 0" UNSATURATED SOIL

TANK CAN BE USED AS:
 SEPTIC/SEPTIC, SEPTIC/ PUMP
 OR SEPTIC/SIPHON

COVER: MIX DESIGN #8 (NO FIBER)
TANK: MIX DESIGN #10 (STRUCTURAL FIBER)

CUSTOMIZED TANKS:
 FOR CUSTOM TANKS CONTACT WIESER CONCRETE



SIDE VIEW

TANKS ARE MANUFACTURED TO MEET OR EXCEED ASTM C-1227 REQUIREMENTS

**DRAWINGS SUBMITTED
FOR APPROVAL**

APPROVED BY: _____
 APPROVAL DATE: _____
 PRODUCTS NEEDED BY: _____

SCALE: 1/4"=1'-0"	PRE-POUR:
REV. _____	POST-POUR:
DATE: 00/00/00	
DRAWN BY: WCP	FILE: WLP1000/650-MR

WIESER CONCRETE
 W3716 US HWY 10 MAIDEN ROCK, WI 54750
 800-325-8456

WLP1000/650-MR
 SEPTIC MANUAL

SHEET NO.
 1 OF 1