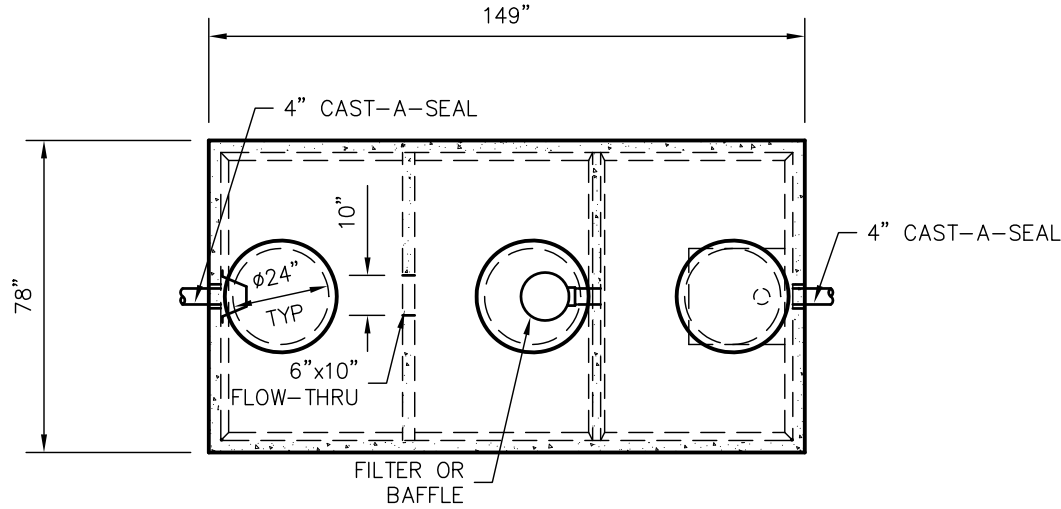
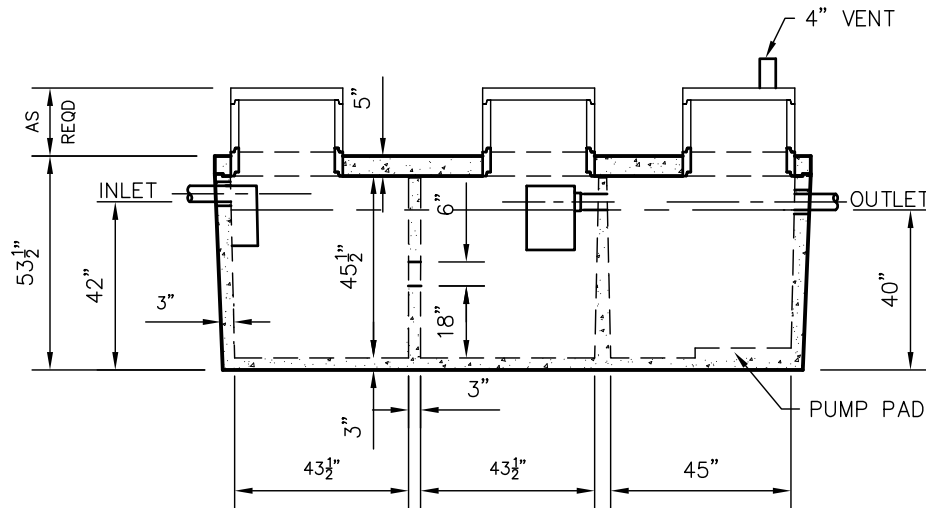


WLP1000/500-FDL TRIPLE TANK SPECIFICATIONS



TOP VIEW



SIDE VIEW

TANKS ARE MANUFACTURED TO MEET OR EXCEED ASTM C-1227 REQUIREMENTS

DIMENSIONS:

- WALL: 3"
- BOTTOM: 3"
- COVER: 5"
- MANHOLE: 24" I.D. PRECAST CONCRETE RISER
- HEIGHT: 53-1/2"
- LENGTH: 149" O.D.
- WIDTH: 78" O.D.
- BELOW INLET: 42" O.D.
- LIQUID LEVEL: 37"
- WEIGHT: 15,000 LBS.

INLET AND OUTLET:
4" CAST-A-SEAL BOOT OR EQUAL

INLET AND OUTLET Baffle AND FILTER:
SEE DETAIL #10

LIQUID CAPACITY: 13.59 GAL/IN (SEPTIC)
13.59 GAL/IN (SEPTIC)
13.67 GAL/IN (PUMP)

LOADING DESIGN: 8' 0" UNSATURATED SOIL

TANK CAN BE USED AS:
SEPTIC/SEPTIC, SEPTIC/PUMP
OR SEPTIC/SIPHON

COVER: MIX DESIGN #8 (NO FIBER)
TANK: MIX DESIGN #9 (SMALL FIBER)

CUSTOMIZED TANKS:
FOR CUSTOM TANKS CONTACT WIESER CONCRETE

**DRAWINGS SUBMITTED
FOR APPROVAL**

APPROVED BY: _____
APPROVAL DATE: _____
PRODUCTS NEEDED BY: _____

PRE-FOUR:
POST-POUR:

SCALE: 1/4"=1'-0"
REV. DATE:

DRAWN BY: WCP
DATE: 00/00/00

FILE: WLP1000-500 FDL

WIESER CONCRETE
W3716 US HWY 10 MAIDEN ROCK, WI 54750

800-325-8456

WLP1000/500-FDL TRIPLE
SEPTIC MANUAL

SHEET NO.

1 OF 1