

WEHD5000 TANK SPECIFICATIONS

DIMENSIONS:

WALL: 6"
 BOTTOM: 7"
 TOP: 8"
 MANHOLE: 24" I.D. PRECAST CONCRETE RISER
 HEIGHT: 96" O.D.
 LENGTH: 180" O.D.
 WIDTH: 108" O.D.
 BELOW INLET: 81" O.D.
 LIQUID LEVEL: 72"
 WEIGHT: 24,245 LBS PER SECTION

INLET AND OUTLET:

4" CAST-A-SEAL BOOT, GASKET OR EQUAL

INLET AND OUTLET Baffle AND FILTER:

WISCONSIN, SEE DETAIL #10
 (OTHER STATES SEE CHART)

LIQUID CAPACITY: 69.81 GAL/IN

HOLDING TANK:

OUTLET HOLE PLUGGED
 ACTUAL CAPACITY: 5,166 GALLONS

LOADING DESIGN: 12'-0" UNSATURATED SOIL/HS-20

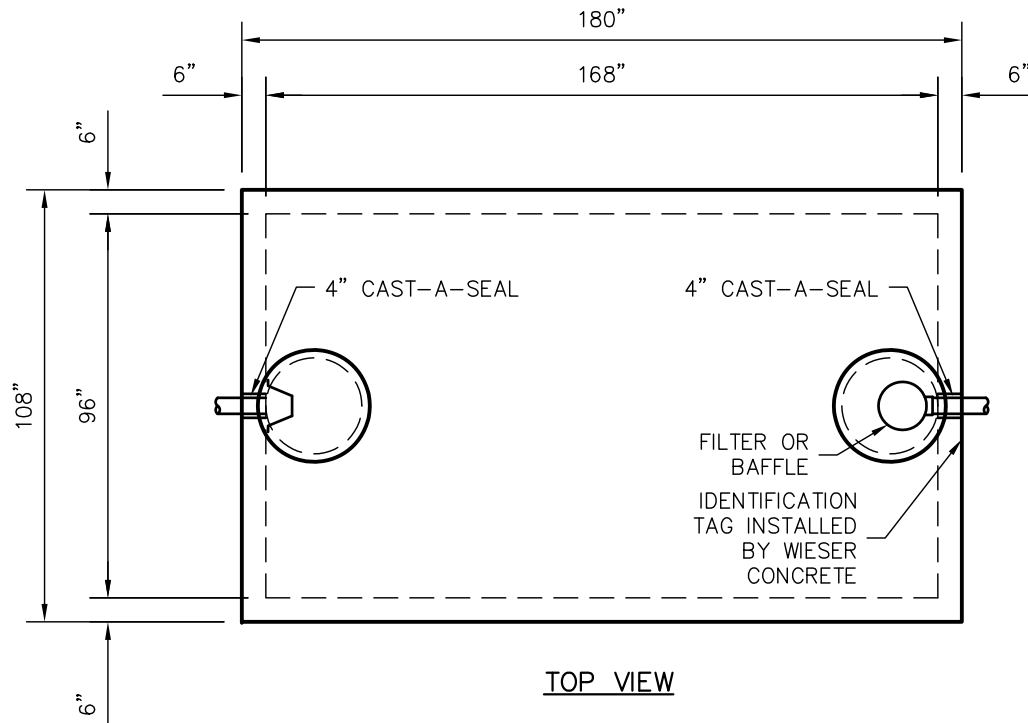
TANK CAN BE USED AS:

SEPTIC/ HOLDING/ PUMP OR SIPHON

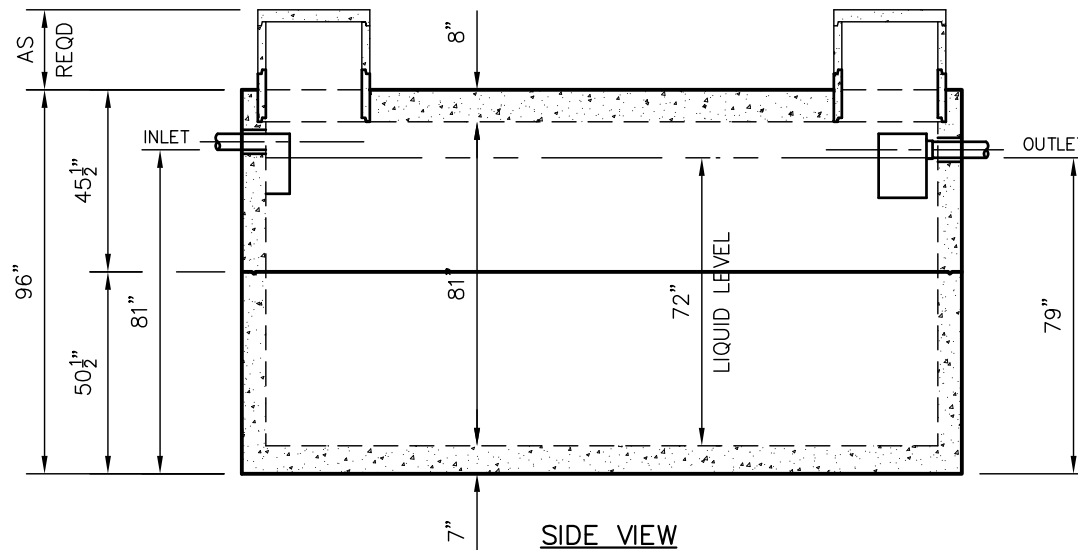
TANK: MIX DESIGN #8 (NO FIBER)

CUSTOMIZED TANKS:

FOR CUSTOM TANKS CONTACT
 WIESER CONCRETE



TOP VIEW



SIDE VIEW

TANKS ARE MANUFACTURED TO MEET OR EXCEED ASTM C-1227 REQUIREMENTS

**DRAWINGS SUBMITTED
FOR APPROVAL**

APPROVED BY: _____
 APPROVAL DATE: _____
 PRODUCTS NEEDED BY: _____

PRE-FOUR:		SCALE: 1/4"=1'-0"	
POST-POUR:		REV. DATE:	
DRAWN BY: WCP		DATE: 00/00/00	
WIESER CONCRETE		MAIDEN ROCK, WI 54750	
WEHD5000		800-325-8456	
SEPTIC MANUAL			
SHEET NO.		1 OF 1	