

WEHD3000 GREASE INTERCEPTOR TANK SPECIFICATIONS

DIMENSIONS:
 WALL: 6"
 BOTTOM: 6"
 COVER: 6"
 MANHOLE: 24" I.D. PRECAST CONCRETE RISER
 HEIGHT: 87" O.D.
 LENGTH: 156" O.D.
 WIDTH: 84" O.D.
 BELOW INLET: 75" O.D.
 LIQUID LEVEL: 67"
 WEIGHT: 15,700 LBS. PER SECTION

INLET AND OUTLET:
 4" CAST-A-SEAL BOOT, GASKET OR EQUAL

INLET AND OUTLET BAFFLES:
 AS SHOWN

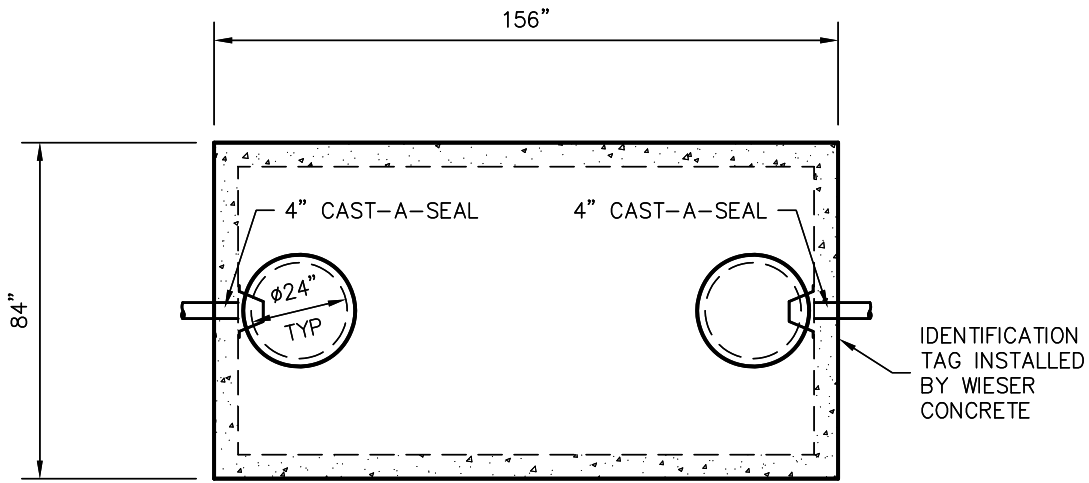
LIQUID CAPACITY: 44.88 GAL/IN

LOADING DESIGN: 12'-0" UNSATURATED SOIL / HS-20

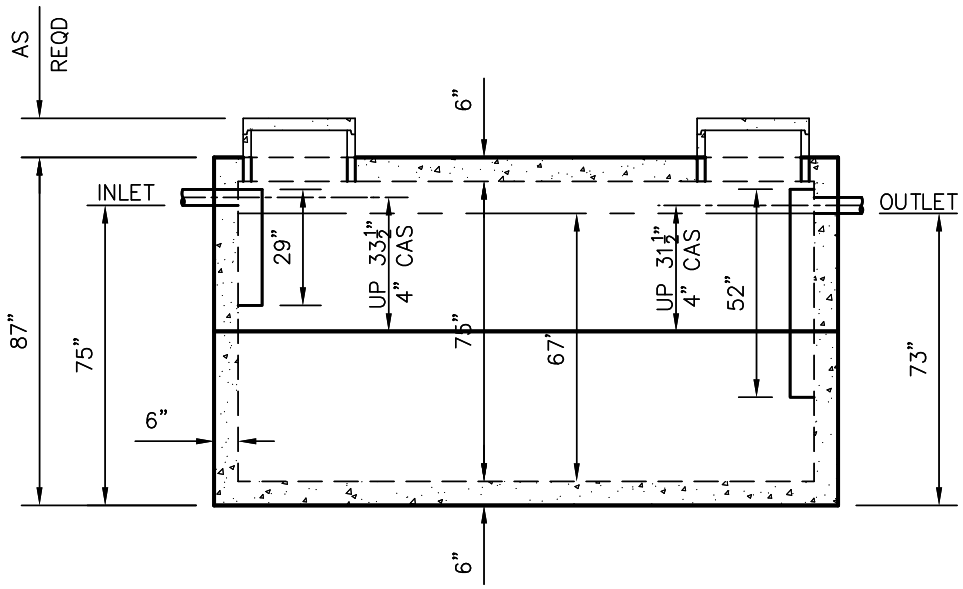
TANK CAN BE USED AS:
 EXTRA HEAVY DUTY GREASE INTERCEPTOR

TANK: MIX DESIGN #8 (NO FIBER)

CUSTOMIZED TANKS:
 FOR CUSTOM TANKS CONTACT WIESER CONCRETE



TOP VIEW



SIDE VIEW

TANKS ARE MANUFACTURED TO MEET OR EXCEED ASTM C-1227 & ASTM C-1613 REQUIREMENTS

REVIEWED BY _____ REVIEWED BY _____
 REVIEW DATE _____ REVIEW DATE _____

**DRAWINGS SUBMITTED
FOR APPROVAL**

APPROVED BY: _____
 APPROVAL DATE: _____
 PRODUCTS NEEDED BY: _____

SCALE: 1/4"=1'-0"	PRE-FOUR:
REV. DATE:	POST-POUR:
DRAWN BY: WCP	
DATE: 00/00/00	
FILE: WEHD3000GI	

WIESER CONCRETE
 W5716 US HWY 10 MAIDEN ROCK, WI 54750
 800-325-8456

WEHD3000GI
 SEPTIC MANUAL

SHEET NO.
 1 OF 1