

WEHD2000 TANK SPECIFICATIONS

DIMENSIONS:

WALL: 6"
 BOTTOM: 6"
 COVER: 6"
 MANHOLE: 24" I.D. PRECAST CONCRETE RISER
 HEIGHT: 65" O.D.
 LENGTH: 156" O.D.
 WIDTH: 84" O.D.
 BELOW INLET: 53" O.D.
 LIQUID LEVEL: 45"
 WEIGHT: TANK 19,400 LBS.
 WEIGHT: COVER 6,800 LBS.

INLET AND OUTLET:

4" CAST-A-SEAL BOOT, GASKET OR EQUAL

INLET AND OUTLET BAFFLE AND FILTER:

WISCONSIN, SEE DETAIL #10
 (OTHER STATES SEE CHART)

LIQUID CAPACITY: 44.88 GAL/IN

LOADING DESIGN: 12' 0" UNSATURATED SOIL / HS-20

HOLDING TANK:

OUTLET HOLE PLUGGED
 ACTUAL CAPACITY: 2,109 GALLONS

TANK CAN BE USED AS:

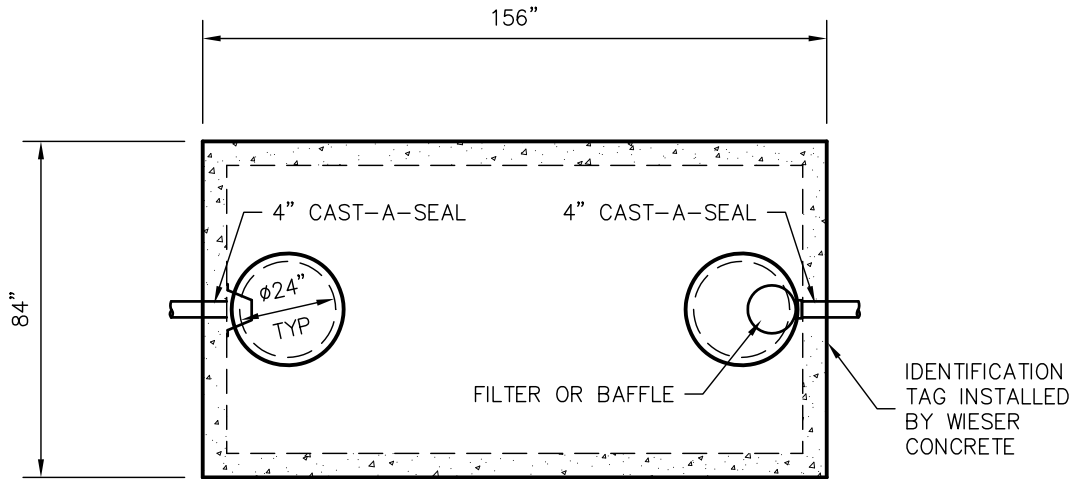
SEPTIC / HOLDING / PUMP OR SIPHON

COVER: MIX DESIGN #8 (NO FIBER)

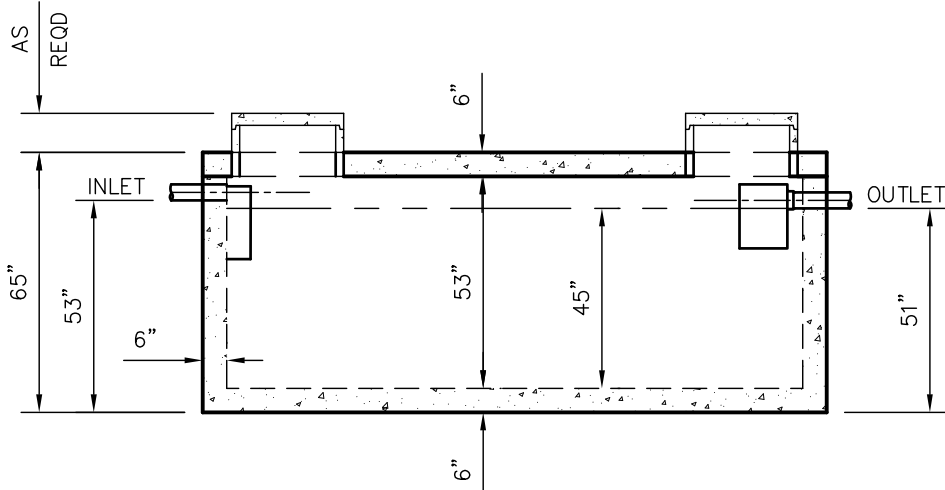
TANK: MIX DESIGN #8 (NO FIBER)

CUSTOMIZED TANKS:

FOR CUSTOM TANKS CONTACT WIESER CONCRETE



TOP VIEW



SIDE VIEW

TANKS ARE MANUFACTURED TO MEET OR EXCEED ASTM C-1227 REQUIREMENTS

**DRAWINGS SUBMITTED
FOR APPROVAL**

APPROVED BY: _____
 APPROVAL DATE: _____
 PRODUCTS NEEDED BY: _____

DRAWN BY: WCP	SCALE: 1/4"=1'-0"	PRE-FOUR:	POST-POUR:
DATE: 00/00/00	REV. DATE:		
<b style="font-size: 2em;">WIESER CONCRETE W3716 US HWY 10 MAIDEN ROCK, WI 54750 800-325-8456			
WEHD2000	SEPTIC MANUAL		
			SHEET NO.
			1 OF 1