

WEHD1700 TANK SPECIFICATIONS

DIMENSIONS:

WALL: 3 1/2"
 BOTTOM: 5"
 COVER: 6"
 MANHOLE: 24" I.D. PRECAST CONCRETE RISER
 HEIGHT: 95 1/2" O.D.
 OUTSIDE DIAMETER: 86 1/2" O.D.
 BELOW INLET: 84" O.D.

WEIGHT: TANK 9,535 LBS.
 WEIGHT: COVER 3,000 LBS.

INLET AND OUTLET:
 4" CAST-A-SEAL BOOT, GASKET OR EQUAL

LIQUID CAPACITY: 21.48 GAL/IN

HOLDING TANK:
 NO OUTLET
 ACTUAL CAPACITY: 1,697 GALLONS

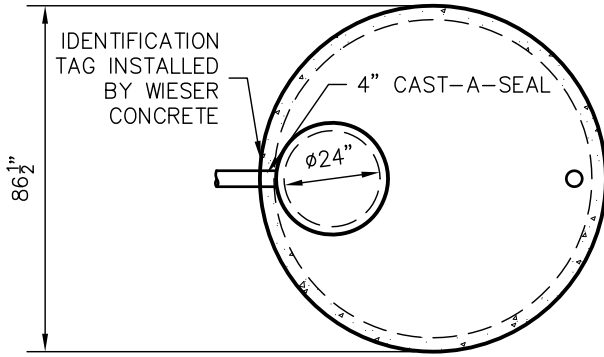
LOADING DESIGN: 12' 0" UNSATURATED SOIL / HS-20

TANK CAN BE USED AS:
 EXTRA HEAVY DUTY HOLDING TANK

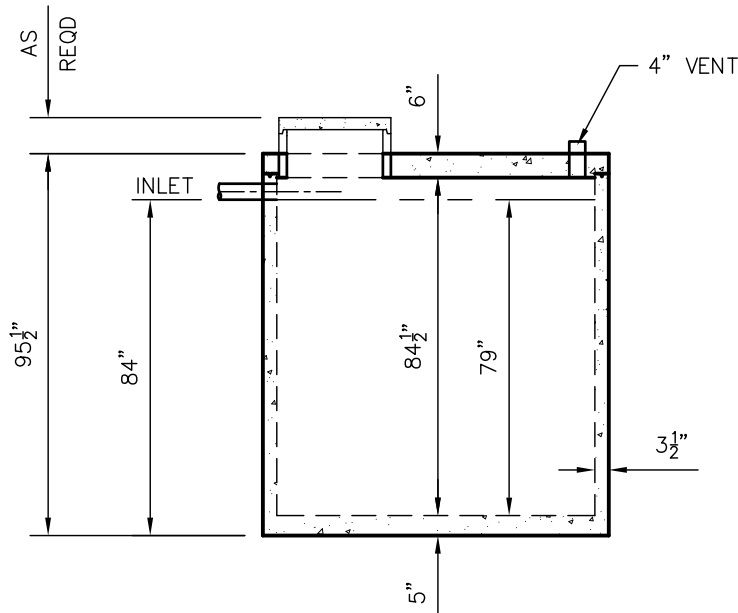
COVER: MIX DESIGN #8 (NO FIBER)
 TANK: MIX DESIGN #8 (NO FIBER)

CUSTOMIZED TANKS:
 FOR CUSTOM TANKS CONTACT WIESER CONCRETE

SCALE: 1/4"=1'-0"	PRE-FOUR:
REV.	POST-POUR:
DATE:	
DRAWN BY: WCP	
DATE: 00/00/00	
FILE: WEHD1700	



TOP VIEW



SIDE VIEW

TANKS ARE MANUFACTURED TO MEET OR EXCEED ASTM C-1227 REQUIREMENTS

**DRAWINGS SUBMITTED
FOR APPROVAL**

APPROVED BY: _____

APPROVAL DATE: _____

PRODUCTS NEEDED BY: _____

WIESER CONCRETE

W3716 US HWY 10 MAIDEN ROCK, WI 54750
800-325-8456

WEHD1700
SEPTIC MANUAL

SHEET NO.
1 OF 1