

WEHD1600 LP TANK SPECIFICATIONS

DIMENSIONS:

WALL: 6"
 BOTTOM: 6"
 COVER: 6"
 MANHOLE: 24" I.D. PRECAST CONCRETE RISER
 HEIGHT: 65" O.D.
 LENGTH: 156" O.D.
 WIDTH: 84" O.D.
 BELOW INLET: 44" O.D.
 LIQUID LEVEL: 36"
 WEIGHT: TANK 19,400 LBS.
 WEIGHT: COVER 6,800 LBS.

INLET AND OUTLET:

4" CAST-A-SEAL BOOT, GASKET OR EQUAL

INLET AND OUTLET BAFFLE AND FILTER:

WISCONSIN, SEE DETAIL #10
 (OTHER STATES SEE CHART)

LIQUID CAPACITY: 44.88 GAL/IN

LOADING DESIGN: 12' 0" UNSATURATED SOIL / HS-20

HOLDING TANK:

OUTLET HOLE PLUGGED
 ACTUAL CAPACITY: 1,615 GALLONS

TANK CAN BE USED AS:

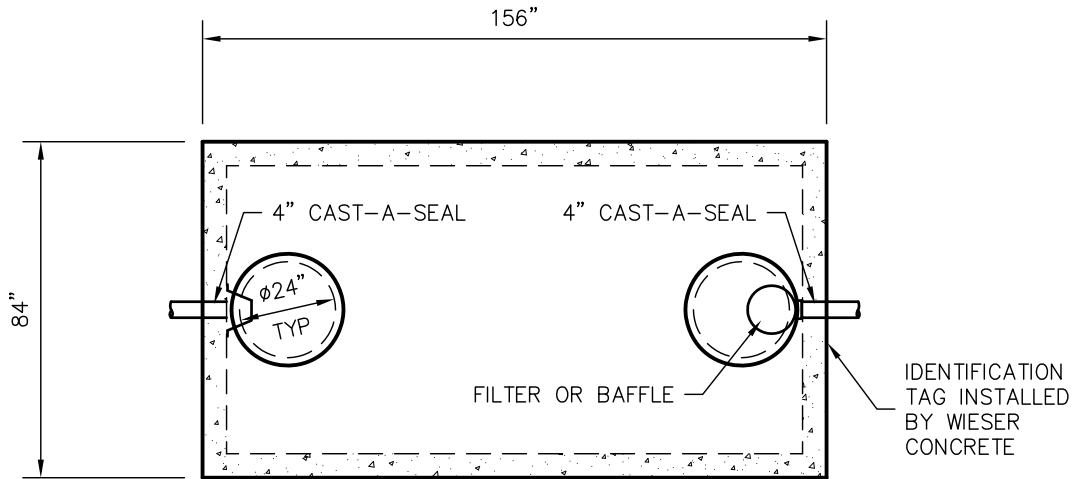
SEPTIC / HOLDING / PUMP OR SIPHON

COVER: MIX DESIGN #8 (NO FIBER)

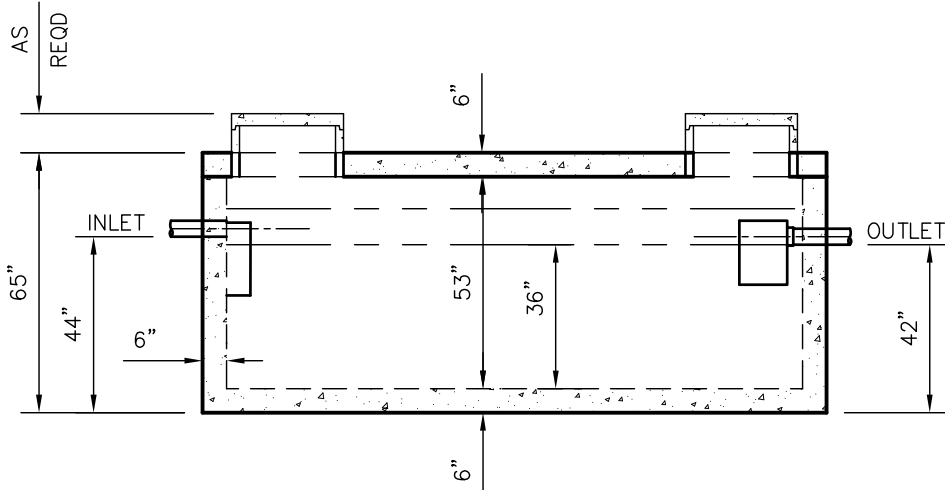
TANK: MIX DESIGN #8 (NO FIBER)

CUSTOMIZED TANKS:

FOR CUSTOM TANKS CONTACT WIESER CONCRETE



TOP VIEW



SIDE VIEW

TANKS ARE MANUFACTURED TO MEET OR EXCEED ASTM C-1227 REQUIREMENTS

**DRAWINGS SUBMITTED
FOR APPROVAL**

APPROVED BY: _____

APPROVAL DATE: _____

PRODUCTS NEEDED BY: _____

PRE-POUR:

SCALE: 1/4" = 1'-0"
REV. DATE:

DRAWN BY: WCP
DATE: 00/00/00

WIESER CONCRETE
W3716 US HWY 10 MAIDEN ROCK, WI 54750

WEHD1600 LP
SEPTIC MANUAL

SHEET NO.
1 OF 1

POST-POUR:

FILE: WEHD1600-LP

800-325-8456