

WEHD1500 GREASE INTERCEPTOR TANK SPECIFICATIONS

DIMENSIONS:

WALL: 3 1/2"
 BOTTOM: 5"
 COVER: 6"
 MANHOLE: 24" I.D. PRECAST CONCRETE RISER
 HEIGHT: 95 1/2" O.D.
 OUTSIDE DIAMETER: 86 1/2" O.D.
 BELOW INLET: 78" O.D.
 LIQUID LEVEL: 70"
 WEIGHT: TANK 9,535 LBS.
 WEIGHT: COVER 3,000 LBS.

INLET AND OUTLET:
 4" CAST-A-SEAL BOOT, GASKET OR EQUAL

INLET AND OUTLET BAFFLE:
 AS SHOWN

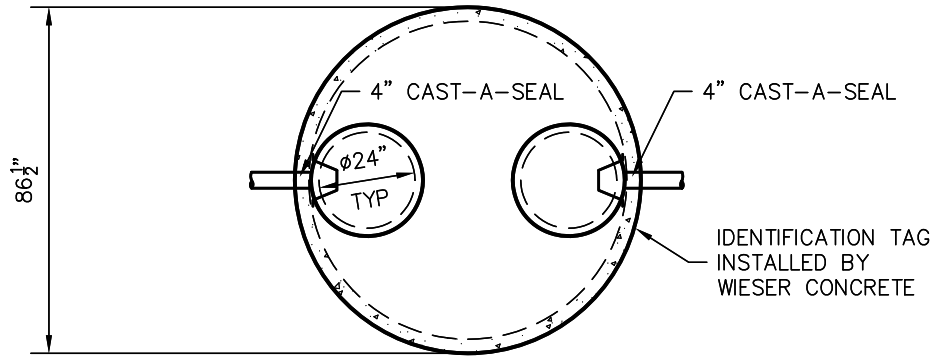
LIQUID CAPACITY: 21.48 GAL/IN

LOADING DESIGN: 12'-0" UNSATURATED SOIL / HS-20

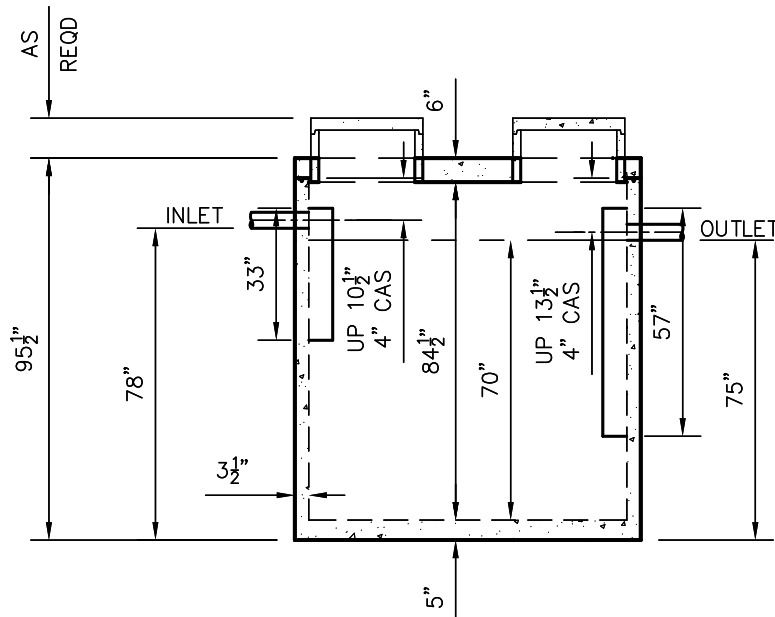
TANK CAN BE USED AS:
 EXTRA HEAVY DUTY GREASE INTERCEPTOR

COVER: MIX DESIGN #8 (NO FIBER)
 TANK: MIX DESIGN #8 (NO FIBER)

CUSTOMIZED TANKS:
 FOR CUSTOM TANKS CONTACT WESER CONCRETE



TOP VIEW



SIDE VIEW

TANKS ARE MANUFACTURED TO MEET OR EXCEED ASTM C-1227 & ASTM C-1613 REQUIREMENTS

REVIEWED BY _____ REVIEWED BY _____
 REVIEW DATE _____ REVIEW DATE _____

**DRAWINGS SUBMITTED
FOR APPROVAL**

APPROVED BY: _____
 APPROVAL DATE: _____
 PRODUCTS NEEDED BY: _____

PRE-POUR:
POST-POUR:

SCALE: 1/4"=1'-0"
REV. _____
DATE: _____

DRAWN BY: WCP
DATE: 00/00/00

FILE: WEHD1500GI

WESER CONCRETE
 W5716 US HWY 10 MAIDEN ROCK, WI 54750

800-325-8456

WEHD1500GI

SEPTIC MANUAL

SHEET NO.

1 OF 1