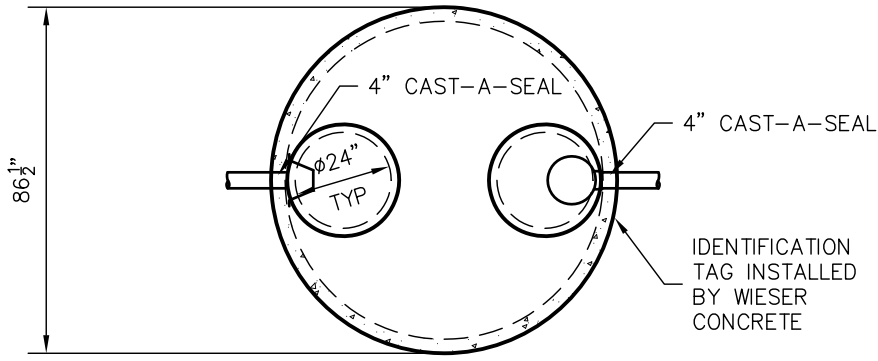
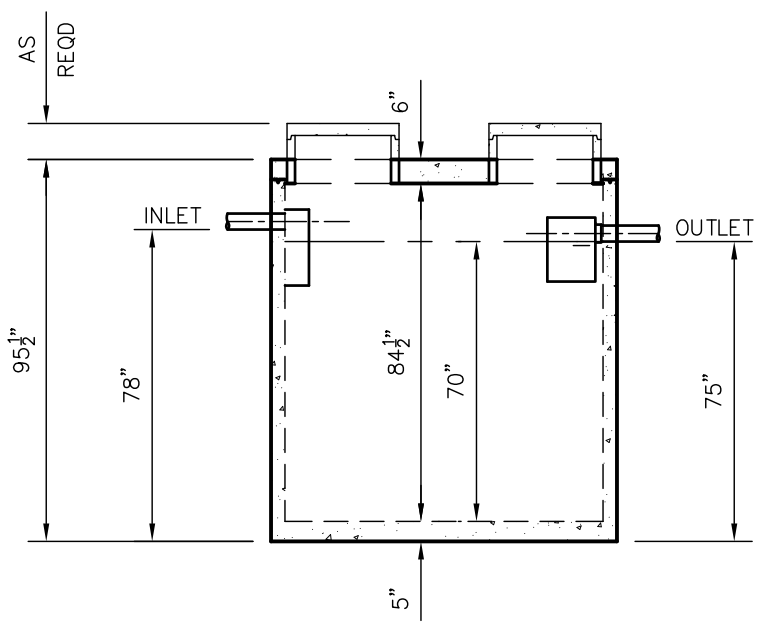


# WEHD1500 TANK SPECIFICATIONS



TOP VIEW



SIDE VIEW

**DIMENSIONS:**  
 WALL: 3 1/2"  
 BOTTOM: 5"  
 COVER: 6"  
 MANHOLE: 24" I.D. PRECAST CONCRETE RISER  
 HEIGHT: 95 1/2" O.D.  
 OUTSIDE DIAMETER: 86 1/2" O.D.  
 BELOW INLET: 78" O.D.  
 LIQUID LEVEL: 70"  
 WEIGHT: TANK 9,535 LBS.  
 WEIGHT: COVER 3,000 LBS.

**INLET AND OUTLET:**  
 4" CAST-A-SEAL BOOT, GASKET OR EQUAL

**INLET AND OUTLET Baffle AND FILTER:**  
 WISCONSIN, SEE DETAIL #10  
 (OTHER STATES SEE CHART)

**LIQUID CAPACITY:** 21.48 GAL/IN

**HOLDING TANK:**  
 OUTLET HOLE PLUGGED  
 ACTUAL CAPACITY: 1568 GALLONS

**LOADING DESIGN:** 12' 0" UNSATURATED SOIL / HS-20

**TANK CAN BE USED AS:**  
 SEPTIC / HOLDING / PUMP OR SIPHON

**COVER:** MIX DESIGN #8 (NO FIBER)  
**TANK:** MIX DESIGN #8 (NO FIBER)

**CUSTOMIZED TANKS:**  
 FOR CUSTOM TANKS CONTACT WIESER CONCRETE

DRAWN BY: WCP	SCALE: 1/4"=1'-0"	PRE-POUR:	POST-POUR:
DATE: 00/00/00	REV. DATE:		
FILE: WEHD1500			

WIESER CONCRETE

W3716 US HWY 10 MAIDEN ROCK, WI 54750  
 800-325-8456

WEHD1500  
 SEPTIC MANUAL

**DRAWINGS SUBMITTED FOR APPROVAL**

APPROVED BY: \_\_\_\_\_

APPROVAL DATE: \_\_\_\_\_

PRODUCTS NEEDED BY: \_\_\_\_\_

SHEET NO.  
 1 OF 1